



# ***SERVICE MANUAL***

---

## ***NX300P***

TYPE: YS1107

WEB ACCESS: <http://www.yorkville.com>

### **WORLD HEADQUARTERS CANADA**

**Yorkville Sound**  
550 Granite Court  
Pickering, Ontario  
L1W-3Y8 CANADA

Voice: (905) 837-8481  
Fax: (905) 837-8746

### **U.S.A.**

**Yorkville Sound Inc.**  
4625 Witmer Industrial Estate  
Niagara Falls, New York  
14305 USA

Voice: (716) 297-2920  
Fax: (716) 297-3689



**Quality and Innovation Since 1963**  
Printed in Canada

#### **SMT Disclaimer**

Due to the complex nature of the use of SMT installed components in Yorkville equipment, we highly caution all service technicians in attempting to repair or replace SMT factory installed components.

Many of these components may be glued prior to initial soldering.

**Replacing SMT components requires expensive specialized de-soldering equipment and training.**

Yorkville Sound will repair and replace defective SMT components to ensure proper quality assurance and installation is maintained.



LINE IN LEVEL 0

POWER LIMIT CLIP

MIC LEVEL

min max

BASS +

TREBLE +

min max

LINE IN

LINK OUT

MIC

**CAUTION AVIS**

RISK OF ELECTRIC SHOCK  
DO NOT OPEN

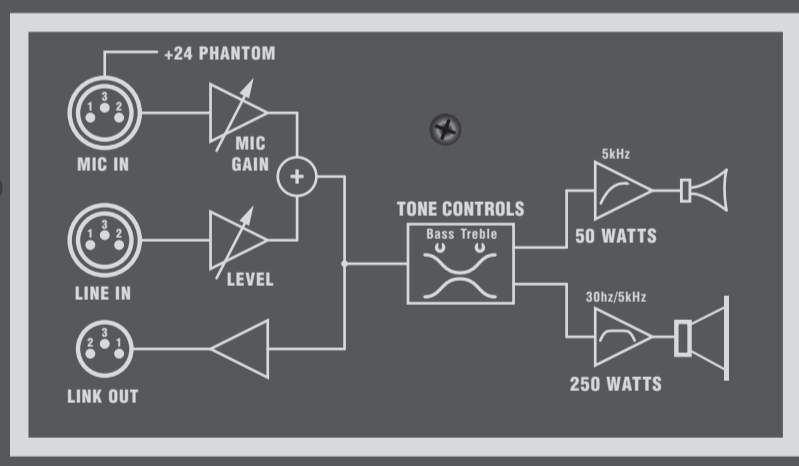
RISQUE DE CHOC ELECTRIQUE  
NE PAS OUVRIR



WWW.YORKVILLE.COM

# nx300<sup>P</sup>

300 WATT POWERED LOUDSPEAKER ENCLOSURE



ON

POWER

|                           |         |                           |      |
|---------------------------|---------|---------------------------|------|
| TYPE: YS1107              |         | A-Z1471B / 1v7            |      |
| 100-240 V~ 50/60Hz        | 50/60Hz | 120 VAC 60Hz              | 60Hz |
| 250W MAX                  |         | 250W MAX                  |      |
| FUSE: 3.15A L 250V s/oblo |         | FUSE: 3.15A L 250V s/oblo |      |

CAUTION: REPLACE WITH SAME TYPE FUSE AND RATING

ATTENTION: UTILISER UN FUSIBLE DE RECHANGE DE MEME TYPE ET CALIBRE

Designed & Manufactured by  
YORKVILLE SOUND • TORONTO, CANADA

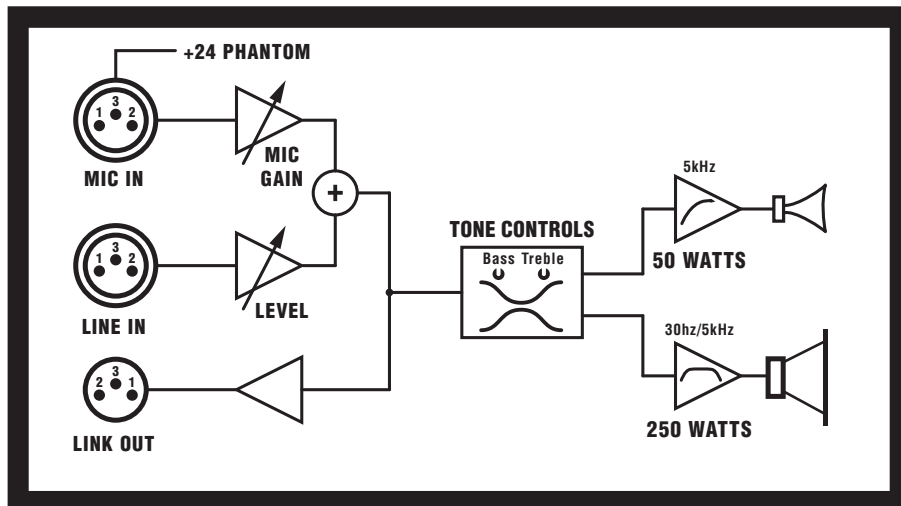
CE

CERTIFIED ELECTRICAL SAFETY LR1004



# nx300<sup>P</sup>

300 WATT POWERED LOUDSPEAKER ENCLOSURE





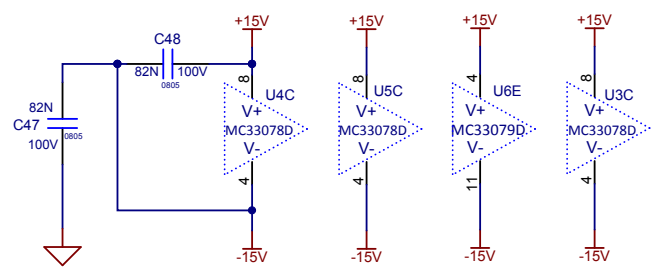
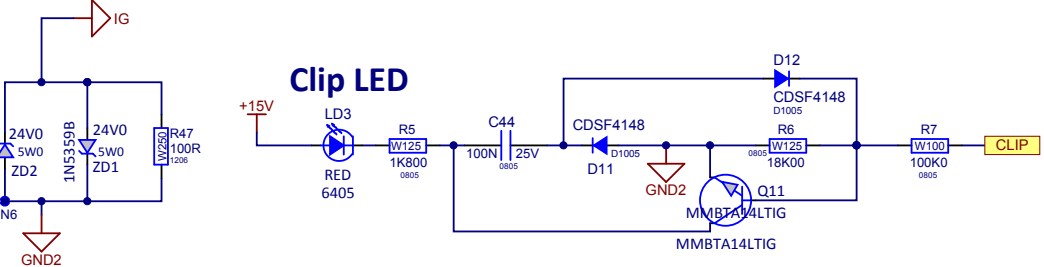
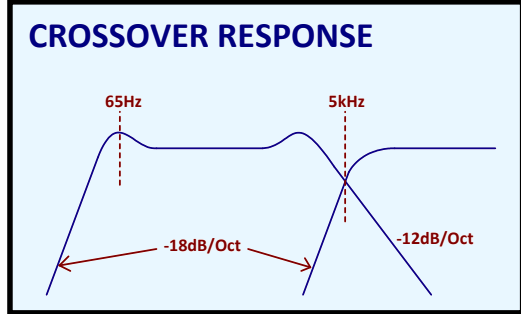
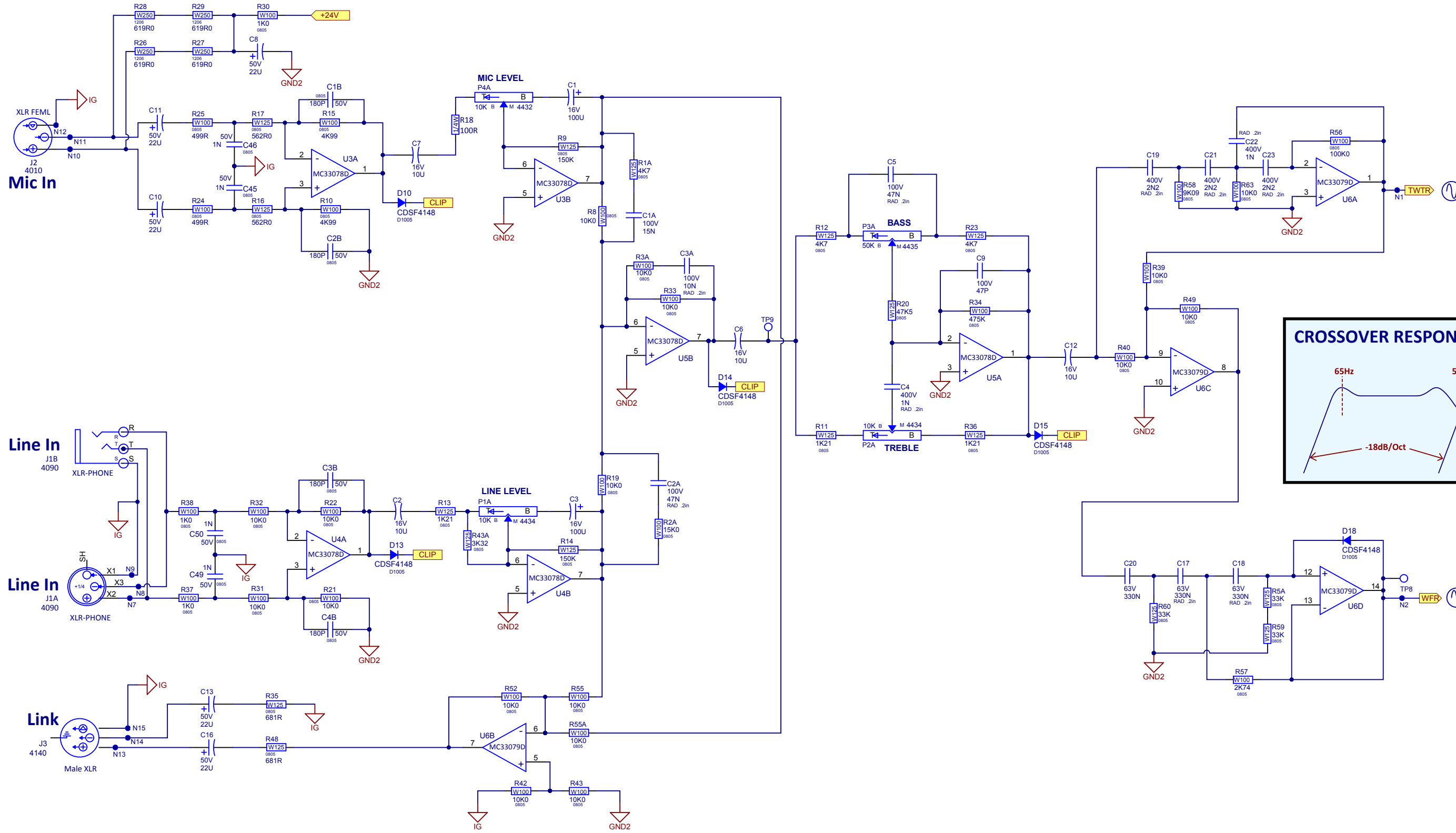
**NX300P Parts Reference List 7/14/2015**

| REF  | YS # | Description                         | REF  | YS # | Description                      | REF | YS # | Description |
|------|------|-------------------------------------|------|------|----------------------------------|-----|------|-------------|
| C1   | 5879 | 100U 16V 20%CAP T&R 8X7MM .2EL      | LD1  | 6408 | GRN 3MM LED 2V2 20MA DIFFUSD     |     |      |             |
| C2   | 5282 | 10U 16V 20%CAP T&R 5X7MM .2NP       | LD2  | 6400 | YEL 3MM LED 2V1 20MA DIFFUSD     |     |      |             |
| C3   | 5879 | 100U 16V 20%CAP T&R 8X7MM .2EL      | LD3  | 6405 | RED 3MM LED 2V1 20MA DIFFUSD     |     |      |             |
| C4   | 5206 | 1N 400V 5%CAP T&R RAD .2FLM         | P1   | 4434 | 10K B LIN 9MM DETENT P32         |     |      |             |
| C5   | 5224 | 47N 100V 10%CAP T&R RAD .2FLM       | P2   | 4434 | 10K B LIN 9MM DETENT P32         |     |      |             |
| C6   | 5282 | 10U 16V 20%CAP T&R 5X7MM .2NP       | P3   | 4435 | 50K B LIN 9MM DETENT P32         |     |      |             |
| C7   | 5282 | 10U 16V 20%CAP T&R 5X7MM .2NP       | P4   | 4432 | 10K B LIN 9MM P32                |     |      |             |
| C8   | 5631 | 22U 50V 20%CAP T&R 6X7MM .2EL       | P5   | 4520 | 10K TRIM POT                     |     |      |             |
| C9   | 5203 | 47P 100V 2%CAP T&R RAD CER.2NPO     | P6   | 4520 | 10K TRIM POT                     |     |      |             |
| C10  | 5631 | 22U 50V 20%CAP T&R 6X7MM .2EL       | Q3   | 6932 | IRFP9140N TO247 PCH MFET TM      |     |      |             |
| C11  | 5631 | 22U 50V 20%CAP T&R 6X7MM .2EL       | Q4   | 6805 | 2SD2560 TO3P NPN TRAN DARL       |     |      |             |
| C12  | 5282 | 10U 16V 20%CAP T&R 5X7MM .2NP       | Q5   | 6812 | 2SB1647 TO3P PNP TRAN DARL       |     |      |             |
| C13  | 5631 | 22U 50V 20%CAP T&R 6X7MM .2EL       | Q6   | 6812 | 2SB1647 TO3P PNP TRAN DARL       |     |      |             |
| C14  | 5945 | 10U 63V 20%CAP T&R RAD .2EL         | Q7   | 6805 | 2SD2560 TO3P NPN TRAN DARL       |     |      |             |
| C15  | 5282 | 10U 16V 20%CAP T&R 5X7MM .2NP       | Q8   | 6931 | IRFP140N TO247 NCH MFET TM       |     |      |             |
| C16  | 5631 | 22U 50V 20%CAP T&R 6X7MM .2EL       | Q9   | 6854 | 2N6517 TO92 NPN TRAN TA          |     |      |             |
| C17  | 5233 | 330N 63V 5%CAP T&R RAD .2FLM        | Q10  | 6854 | 2N6517 TO92 NPN TRAN TA          |     |      |             |
| C18  | 5233 | 330N 63V 5%CAP T&R RAD .2FLM        | R1   | 4748 | 2W00 3R9 5% T&R RES              |     |      |             |
| C19  | 5208 | 2N2 400V 5%CAP T&R RAD .2FLM        | R2   | 4748 | 2W00 3R9 5% T&R RES              |     |      |             |
| C20  | 5233 | 330N 63V 5%CAP T&R RAD .2FLM        | R18  | 4921 | W250 100R 5% .2INU T&R RES       |     |      |             |
| C21  | 5208 | 2N2 400V 5%CAP T&R RAD .2FLM        | R36A | 6619 | 10K 5% THERMISTOR VISH NTC       |     |      |             |
| C22  | 5206 | 1N 400V 5%CAP T&R RAD .2FLM         | W1   | 3543 | 16 PIN BREAKAWAY RA 90 LOCK .156 |     |      |             |
| C23  | 5208 | 2N2 400V 5%CAP T&R RAD .2FLM        | W4   | 4150 | 6 PIN POWER PIN HEADER MALE RA   |     |      |             |
| C24  | 5840 | 22N 400V 10%CAP BLK RAD POLY FLM    | W5   | 4149 | 5 PIN POWER PIN HEADER MALE RA   |     |      |             |
| C25  | 5282 | 10U 16V 20%CAP T&R 5X7MM .2NP       | X1   | 4597 | 22AWG STRAN TC WIR T&R JMP       |     |      |             |
| C26  | 5630 | 330U 25V 20%CAP BLK 10X13MM EL      | X2   | 4597 | 22AWG STRAN TC WIR T&R JMP       |     |      |             |
| C27  | 5630 | 330U 25V 20%CAP BLK 10X13MM EL      | X3   | 4597 | 22AWG STRAN TC WIR T&R JMP       |     |      |             |
| C28  | 5840 | 22N 400V 10%CAP BLK RAD POLY FLM    | X4   | 4597 | 22AWG STRAN TC WIR T&R JMP       |     |      |             |
| C31  | 5282 | 10U 16V 20%CAP T&R 5X7MM .2NP       | X5   | 4597 | 22AWG STRAN TC WIR T&R JMP       |     |      |             |
| C32  | 5630 | 330U 25V 20%CAP BLK 10X13MM EL      | X6   | 4597 | 22AWG STRAN TC WIR T&R JMP       |     |      |             |
| C33  | 5282 | 10U 16V 20%CAP T&R 5X7MM .2NP       | X7   | 4597 | 22AWG STRAN TC WIR T&R JMP       |     |      |             |
| C34  | 5630 | 330U 25V 20%CAP BLK 10X13MM EL      | X8   | 4597 | 22AWG STRAN TC WIR T&R JMP       |     |      |             |
| C35  | 5616 | 3300U 50V 20%CAP BLK 18X35MM EL     | X9   | 4597 | 22AWG STRAN TC WIR T&R JMP       |     |      |             |
| C36  | 5616 | 3300U 50V 20%CAP BLK 18X35MM EL     | X10  | 4597 | 22AWG STRAN TC WIR T&R JMP       |     |      |             |
| C37  | 5945 | 10U 63V 20%CAP T&R RAD .2EL         | X11  | 4597 | 22AWG STRAN TC WIR T&R JMP       |     |      |             |
| C38  | 5959 | 10U 450V 20%CAP BLK EL              | X12  | 4597 | 22AWG STRAN TC WIR T&R JMP       |     |      |             |
| C39  | 5616 | 3300U 50V 20%CAP BLK 18X35MM EL     | X19  | 4597 | 22AWG STRAN TC WIR T&R JMP       |     |      |             |
| C40  | 5882 | 220N 250VDC 10%CAP BLK RAD PLY FLM  | X20  | 4597 | 22AWG STRAN TC WIR T&R JMP       |     |      |             |
| C41  | 5616 | 3300U 50V 20%CAP BLK 18X35MM EL     | X21  | 4597 | 22AWG STRAN TC WIR T&R JMP       |     |      |             |
| C42  | 6451 | 4N7 250V 20%CAP BLK 'Y' 10MM AC     | X22  | 4597 | 22AWG STRAN TC WIR T&R JMP       |     |      |             |
| C43  | 5266 | 680N 250V 20%CAP BLK 'X2' 27MM AC   | X23  | 4597 | 22AWG STRAN TC WIR T&R JMP       |     |      |             |
| C10A | 5254 | 1U 63V 20%CAP T&R 4X7MM .2EL        | X24  | 4597 | 22AWG STRAN TC WIR T&R JMP       |     |      |             |
| C1A  | 5205 | 15N 100V 10%CAP T&R RAD .2FLM       | ZD1  | 6875 | 1N5359B 24V0 5W0 ZENER 5% T&R    |     |      |             |
| C20A | 5257 | 2U2 63V 20%CAP T&R RAD .2EL         | ZD2  | 6875 | 1N5359B 24V0 5W0 ZENER 5% T&R    |     |      |             |
| C23A | 5254 | 1U 63V 20%CAP T&R 4X7MM .2EL        |      |      |                                  |     |      |             |
| C24A | 5254 | 1U 63V 20%CAP T&R 4X7MM .2EL        |      |      |                                  |     |      |             |
| C2A  | 5224 | 47N 100V 10%CAP T&R RAD .2FLM       |      |      |                                  |     |      |             |
| C3A  | 5204 | 10N 100V 10%CAP T&R RAD .2FLM       |      |      |                                  |     |      |             |
| C5B  | 5254 | 1U 63V 20%CAP T&R 4X7MM .2EL        |      |      |                                  |     |      |             |
| C6A  | 5257 | 2U2 63V 20%CAP T&R RAD .2EL         |      |      |                                  |     |      |             |
| C6B  | 5257 | 2U2 63V 20%CAP T&R RAD .2EL         |      |      |                                  |     |      |             |
| C9A  | 5254 | 1U 63V 20%CAP T&R 4X7MM .2EL        |      |      |                                  |     |      |             |
| D1   | 6934 | MR854 400V 3A0 DIODE FASREC         |      |      |                                  |     |      |             |
| D2   | 6934 | MR854 400V 3A0 DIODE FASREC         |      |      |                                  |     |      |             |
| D3   | 6934 | MR854 400V 3A0 DIODE FASREC         |      |      |                                  |     |      |             |
| D4   | 6934 | MR854 400V 3A0 DIODE FASREC         |      |      |                                  |     |      |             |
| D5   | 6438 | 1N4007 1000V 1A0 DIODE T&R          |      |      |                                  |     |      |             |
| D6   | 6438 | 1N4007 1000V 1A0 DIODE T&R          |      |      |                                  |     |      |             |
| D7   | 6438 | 1N4007 1000V 1A0 DIODE T&R          |      |      |                                  |     |      |             |
| D8   | 6438 | 1N4007 1000V 1A0 DIODE T&R          |      |      |                                  |     |      |             |
| D9   | 6438 | 1N4007 1000V 1A0 DIODE T&R          |      |      |                                  |     |      |             |
| HW1  | 4007 | .9 LED CUSTOM SPACER                |      |      |                                  |     |      |             |
| HW10 | 8656 | 1/4X.171 NYLON SPACER               |      |      |                                  |     |      |             |
| HW11 | 8656 | 1/4X.171 NYLON SPACER               |      |      |                                  |     |      |             |
| HW12 | 8656 | 1/4X.171 NYLON SPACER               |      |      |                                  |     |      |             |
| HW13 | 8656 | 1/4X.171 NYLON SPACER               |      |      |                                  |     |      |             |
| HW14 | 8656 | 1/4X.171 NYLON SPACER               |      |      |                                  |     |      |             |
| HW15 | 8656 | 1/4X.171 NYLON SPACER               |      |      |                                  |     |      |             |
| HW2  | 4007 | .9 LED CUSTOM SPACER                |      |      |                                  |     |      |             |
| HW3  | 4007 | .9 LED CUSTOM SPACER                |      |      |                                  |     |      |             |
| HW4  | 8656 | 1/4X.171 NYLON SPACER               |      |      |                                  |     |      |             |
| HW5  | 8656 | 1/4X.171 NYLON SPACER               |      |      |                                  |     |      |             |
| HW6  | 8656 | 1/4X.171 NYLON SPACER               |      |      |                                  |     |      |             |
| HW7  | 8656 | 1/4X.171 NYLON SPACER               |      |      |                                  |     |      |             |
| HW8  | 8656 | 1/4X.171 NYLON SPACER               |      |      |                                  |     |      |             |
| HW9  | 8656 | 1/4X.171 NYLON SPACER               |      |      |                                  |     |      |             |
| J1   | 4090 | 1/4IN &XLR PCB MT VERT COMBO NCJ6-V |      |      |                                  |     |      |             |
| J2   | 4010 | XLR FEML PCB MT VERT 24MM AA-SERIES |      |      |                                  |     |      |             |
| J3   | 4140 | XLR MALE PCB MT VERT 24MM A-SERIES  |      |      |                                  |     |      |             |
| K1   | 4137 | RELAY 2C 16AMP DC110 033MA PC       |      |      |                                  |     |      |             |

## Specifications

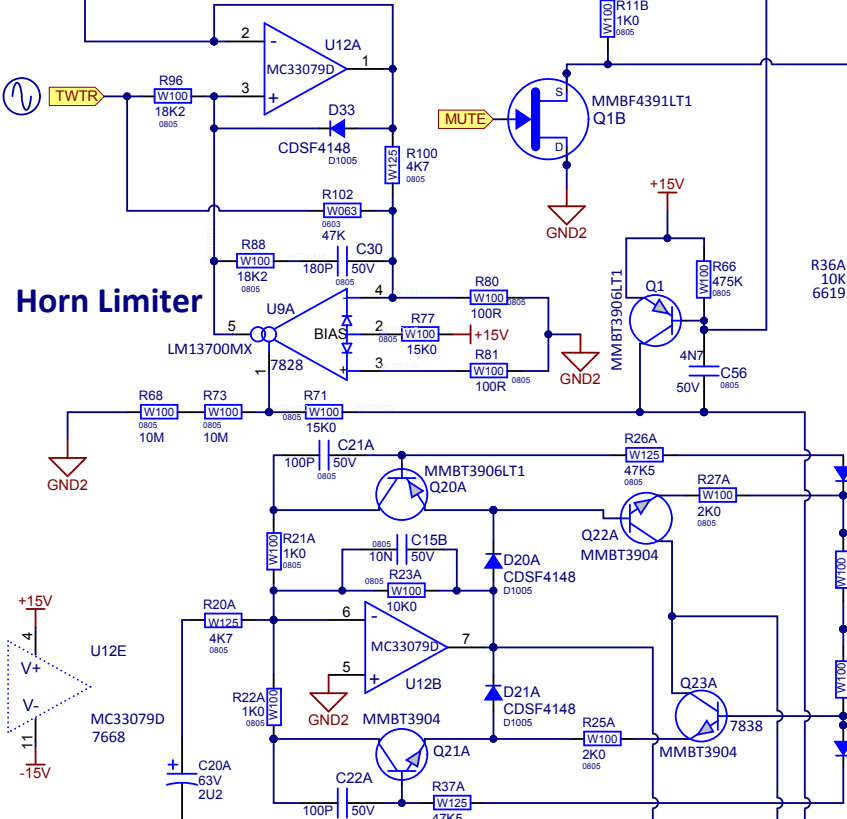
|  |   |
|--|---|
| <b>System Type</b>                     | 2-Way   |
| <b>Active or Passive</b>               | Active  |
| <b>Peak Power (watts)</b>              | 600   |
| <b>Biampable</b>                       | Self Powered                                      |
| <b>Biamp Operation Only</b>            | Yes   |
| <b>Max SPL (dB)</b>                    | 125   |
| <b>Frequency Response (Hz +/- 3db)</b> | 55 - 26k  |
| <b>Crossover Frequency (Hz)</b>        | 4000  |
| <b>Driver Configuration</b>            | 15 inch / 1 inch                                  |
| <b>HF Driver(s)</b>                    | 1 inch Throat, Ceramic Magnet, 1.4 inch PETP Film |
| <b>HF Dispersion (°H x °V)</b>         | 80 x 50   |
| <b>LF Driver(s)</b>                    | 15 inch Ceramic Magnet                            |
| <b>Total Power (watts)</b>             | 300   |
| <b>HF Power Amplifier (watts)</b>      | 50  |
| <b>HF Amplifier Type</b>               | Class A/B   |
| <b>LF Power Amplifier (watts)</b>      | 250   |
| <b>LF Amplifier Type</b>               | Two Tier Class H                                  |
| <b>Power Cable</b>                     | Yes   |
| <b>Power Switch</b>                    | Yes   |
| <b>Power Consumption (typ/max)</b>     | 120 / 310 Va                                      |
| <b>Inputs</b>                          | 2   |
| <b>Inputs - 1/4-inch Jacks</b>         | 1 Line / 1 Mic (XLR Combi jacks)                  |
| <b>Input Sensitivity (Vrms Sine)</b>   | +4dBv / 1.23V                                     |
| <b>Mixer Controls</b>                  | Mic Gain<br>Line In Gain<br>Bass/Treble           |
| <b>Level Controls</b>                  | Line/Mic  |
| <b>Limiter</b>                         | Yes   |
| <b>LED Indicators</b>                  | Power, Limit, Clip                                |
| <b>Feet</b>                            | Yes   |
| <b>Flying Hardware</b>                 | 2 (Top), 2 (Bottom), 1 (Pullback)                 |
| <b>Optional Flying Hardware</b>        | NX Flyware  |
| <b>Bar Handles</b>                     | 1 (Side)  |
| <b>Enclosure Materials</b>             | Injection molded Polypropylene                    |
| <b>Grille</b>                          | Perforated Metal                                  |
| <b>Dimensions (DWH xbackW, inches)</b> | 15 x 22 x 32 x 9.5                                |
| <b>Dimensions (DWH xbackW, cm)</b>     | 38 x 56 x 84 x 24                                 |
| <b>Weight (lbs/kg)</b>                 | 51.5/23.4   |



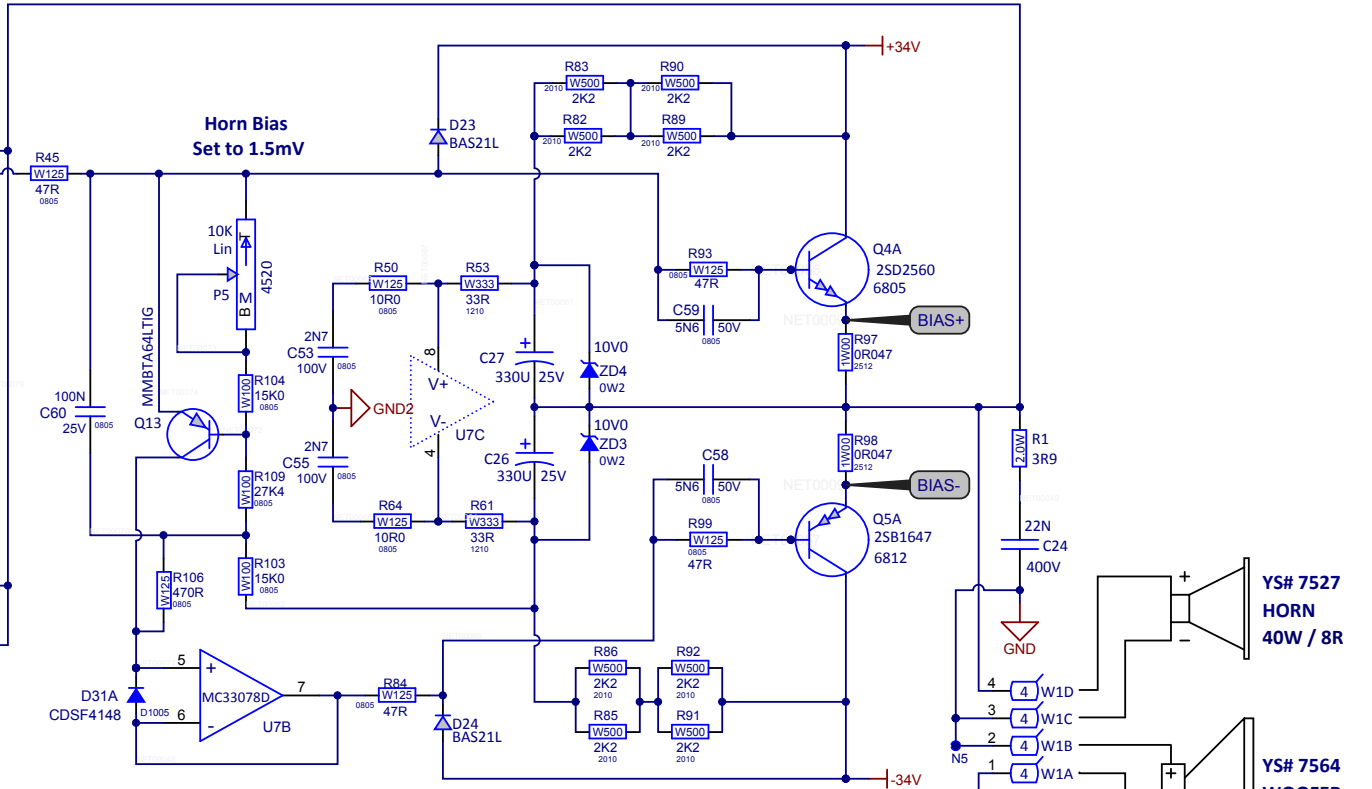




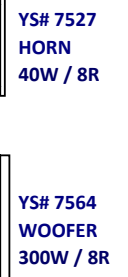
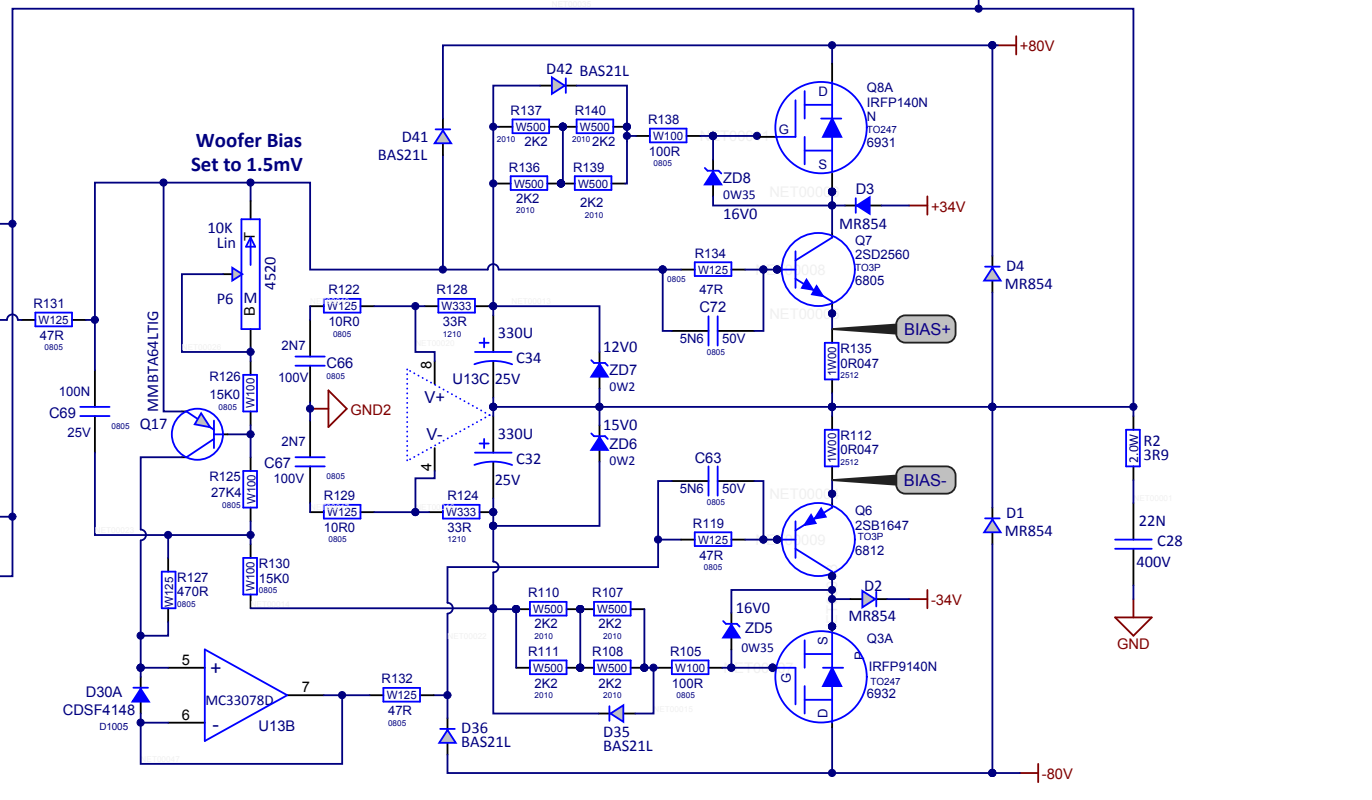
**Horn Limiter**



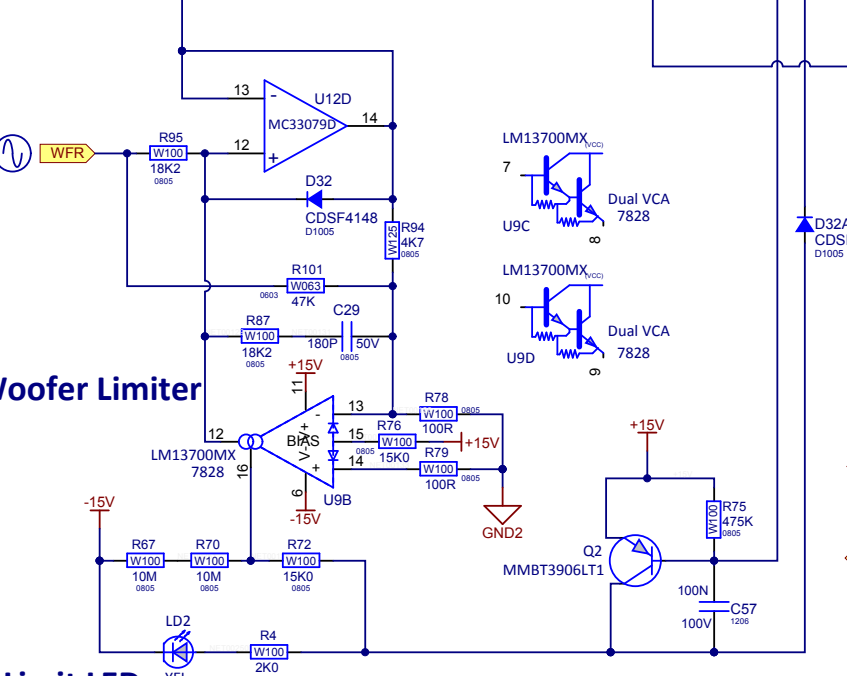
**Horn Amp**



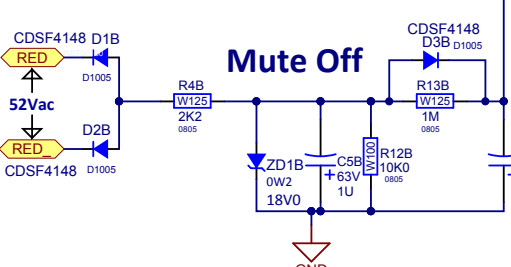
**Woofer Amp**



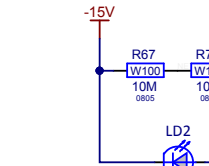
**Woofer Limiter**



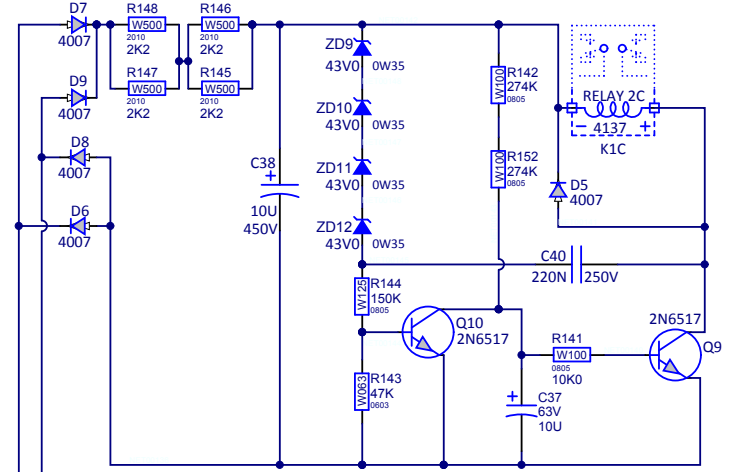
**Mute Off**



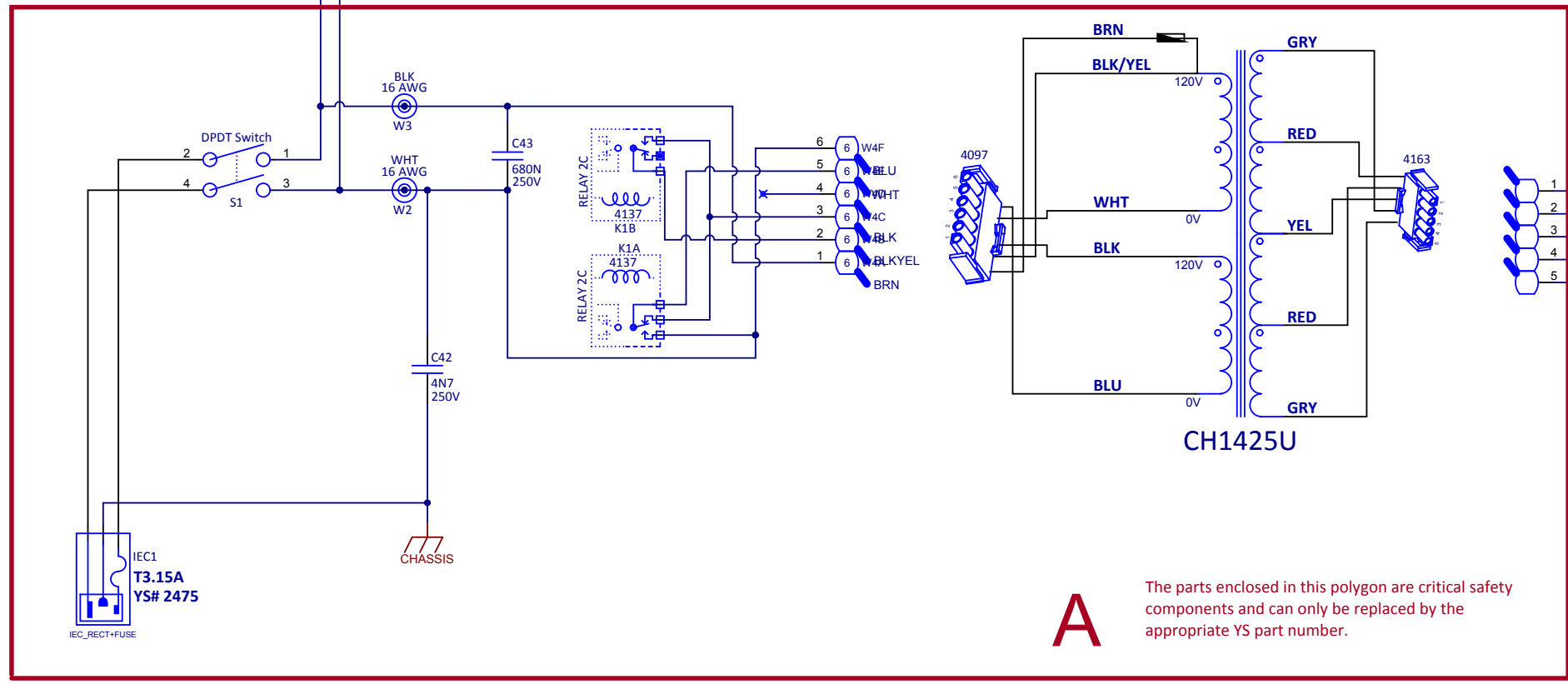
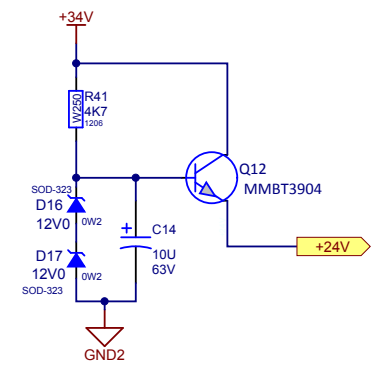
**Limit LED**



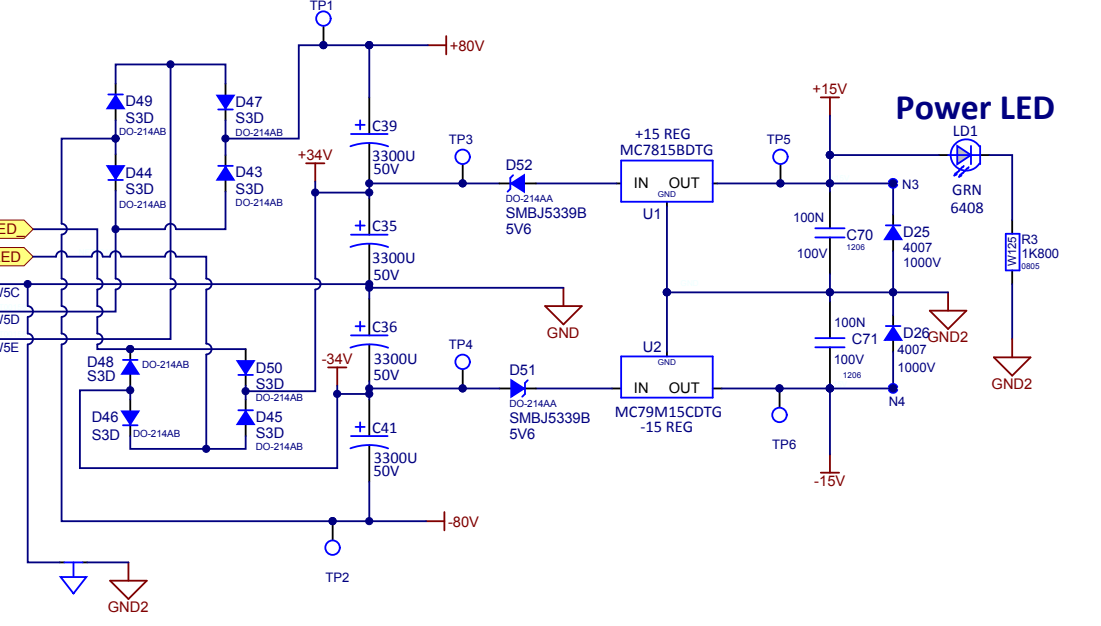
### 120V/240V Select



### Phantom Power Supply



**A** The parts enclosed in this polygon are critical safety components and can only be replaced by the appropriate YS part number.



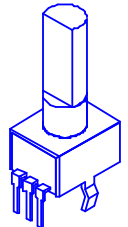
# DESIGN HISTORY AND INFORMATION

## CHANGE HISTORY

| #  | DATE        | VER# | PC#  | DESCRIPTION OF CHANGE   |
|----|-------------|------|------|---|
| 1  | 20-JUN-2013 | V01  | .    | FIRST PRODUCTION RELEASE. - ML  |
| 2  | 03-JUL-2013 | V02  | 8548 | Move C43 away from C42. - ML  |
| 3  | 21-OCT-2013 | V03  | 8579 | Changed XLR connector J3 to YS#4140. - ML                                       |
| 4  | 20-DEC-2013 | V03  | 8618 | Substituted YS#5255 (1u 63V) for 5254 (1u 63V). See PC for details. - ML        |
| 5  | MAY-27-2014 | V04  | 8632 | GND scheme changed (see PC for details)   |
| 6  | NOV-13-2014 | V04  | 8733 | R106 and R127 changed from 1K0 (#7621) to 470R (#7856).                         |
| 7  |             |      |      | R109 and R125 changed from 33K (#7863) to 27K4 (#7636).                         |
| 8  |             |      | 8734 | Tack on two diodes (#6438) on U1 and U2 as per PC#8734 V04 and earlier version. |
| 9  | DEC-1-2014  | V05  | 8734 | D25,D26 #6438 (1N4007) added across the output of 7815 and 7915 regulators.     |
| 10 | .           | .    | .    | .   |
| 11 | .           | .    | .    | .   |
| 12 | .           | .    | .    | .   |
| 13 | .           | .    | .    | .   |

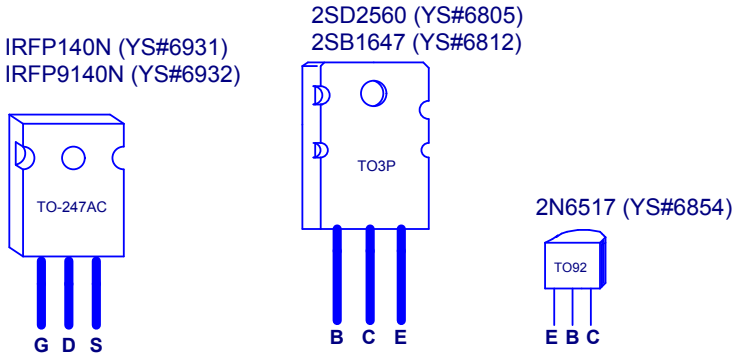
## POTENTIOMETERS AND KNOBS

| REF | FUNCTION      | POT# | KNOB# | STYLE |
|-----|---------------|------|-------|-------|
| P1  | LINE IN LEVEL | 4434 | 8653  | P32   |
| P2  | TREBLE        | 4434 | 8653  | P32   |
| P3  | BASS          | 4435 | 8653  | P32   |
| P4  | MIC LEVEL     | 4432 | 8653  | P32   |
| .   | .             | .    | .     | .     |
| .   | .             | .    | .     | .     |
| .   | .             | .    | .     | .     |
| .   | .             | .    | .     | .     |
| .   | .             | .    | .     | .     |
| .   | .             | .    | .     | .     |
| .   | .             | .    | .     | .     |
| .   | .             | .    | .     | .     |
| .   | .             | .    | .     | .     |
| .   | .             | .    | .     | .     |
| .   | .             | .    | .     | .     |

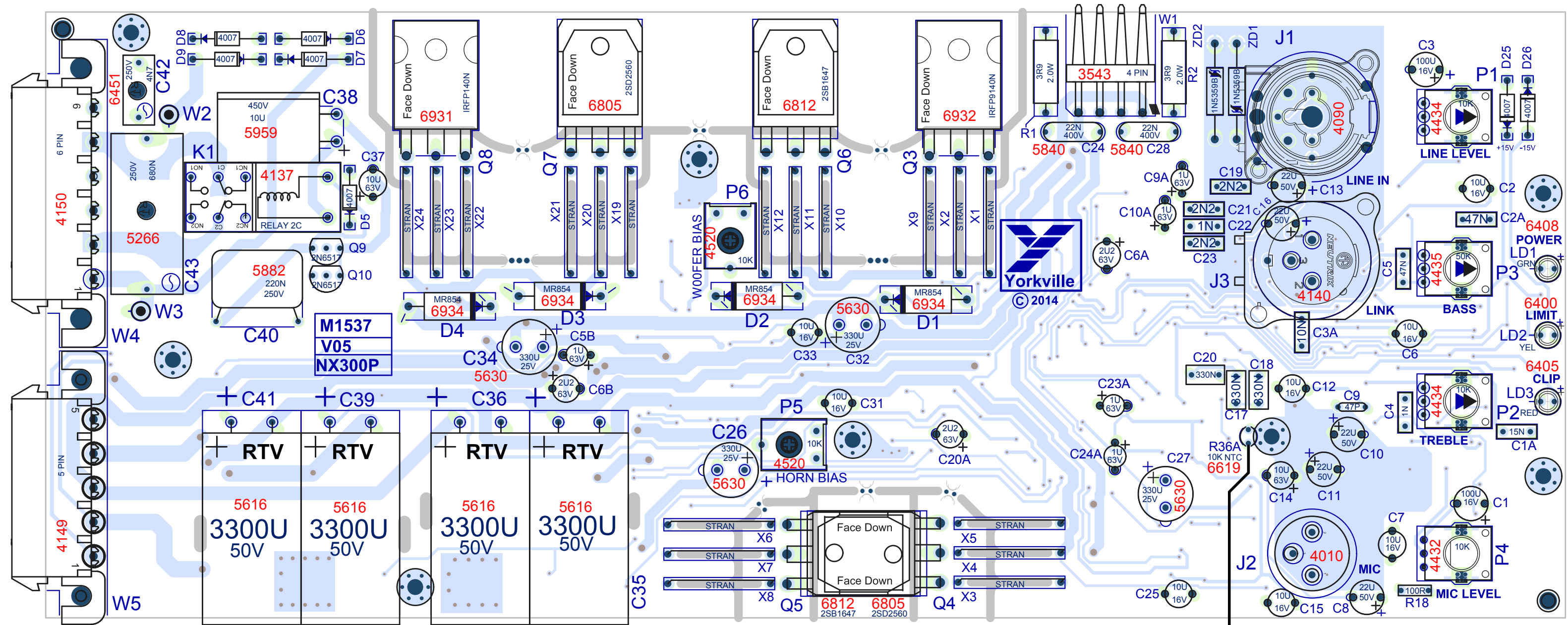


"STYLE\_P32"

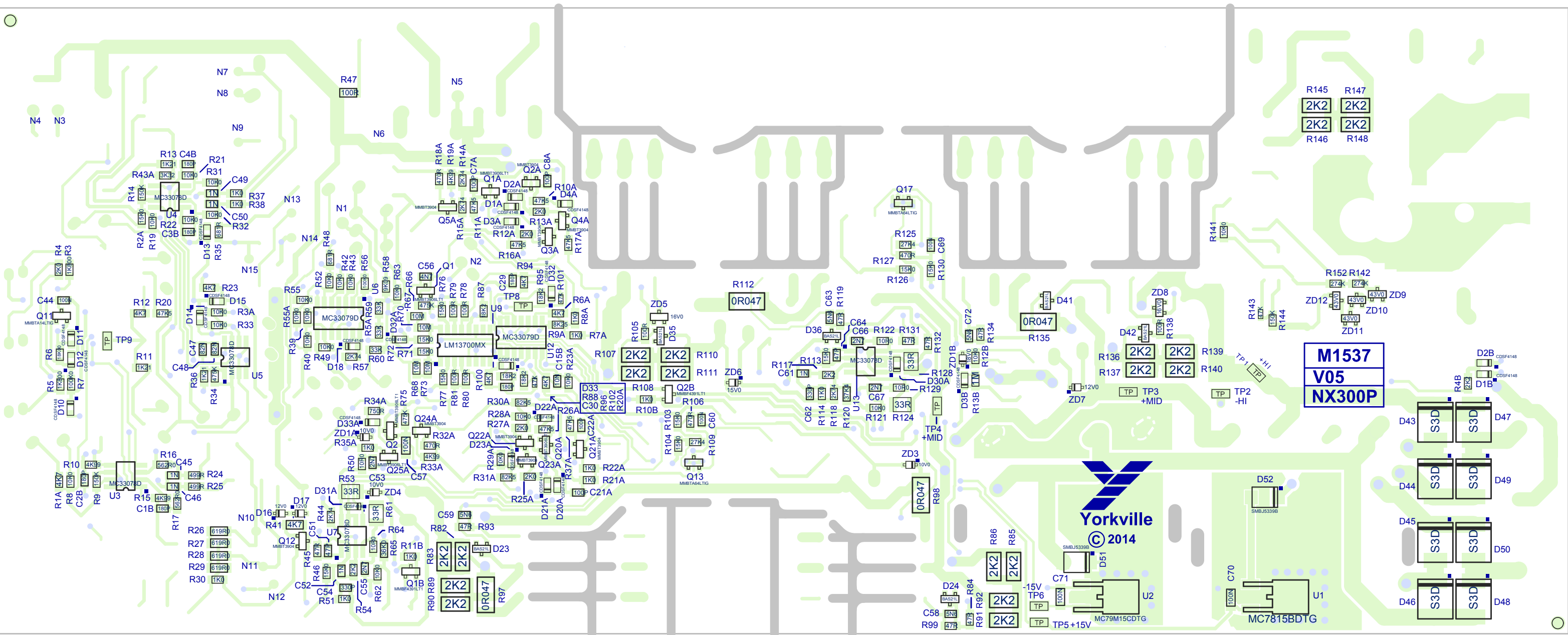
## LEADS AND PINS REFERENCE



THIS SHEET CONTAINS A CHANGE HISTORY LOG, A LIST OF THE POTS & KNOBS AND A LEADS & PINS REFERENCE SECTION.



SEE ASSEMBLY NOTE #8



R145 2K2  
R146 2K2  
R147 2K2  
R148 2K2

M1537  
V05  
NX300P



D43 S3D  
D44 S3D  
D45 S3D  
D46 S3D  
D47 S3D  
D48 S3D  
D49 S3D  
D50 S3D

D52 SMBJ5339B  
U1 MC7815BDTG  
C70 100K

U2 MC79M15CDTG  
C71 100K  
TP5 +15V

D24 SMBJ5339B  
R84 47K  
R91 2K2  
R92 2K2

R112 0R047

R135 0R047

R98 0R047

R97 0R047

R90 2K2  
R89 2K2

R30 1K1  
R29 619R  
R28 619R  
R27 619R  
R26 619R

R4 2K1  
R3 1K390R

# PCB ASSEMBLY DOCUMENTATION

## SPECIAL PRODUCTION NOTES

1. PCBSA: Q3, Q4, Q5, Q6, Q7 & Q8 are bent over the PCB face down.
2. PCBSA: Add nylon spacers YS#8656 to the two outter most leads of Q3, Q4, Q5, Q6, Q7 & Q8.
3. PCBSA: Add YS#4007 spacers to LD1, LD2 and LD3.
4. PCBSA: Lay down and RTV C38, C40, C35, C36, C39 & C41 before wave solder.
5. PCBSA: Zip-tie C35, C36, C39, C41 down with the locking mechanism on the capacitor side.
6. PCBSA: Clip all leads down to pad size before wave solder.
7. PCBSA: Add RTV to all small electrolytic caps to secure them from vibration.
8. WIRING: Add thermal grease between R36A and the adjacent stand-off when mounting the PCB to the chassis.

## PCB HARDWARE

### SPACERS



THIS SHEET CONTAINS SPECIAL PRODUCTION NOTES AND A LIST OF PCB HARDWARE PARTS REQUIRED FOR THE BUILD.



|             |                        |       |                 |           |     |       |   |    |   |
|-------------|------------------------|-------|-----------------|-----------|-----|-------|---|----|---|
| Section:    | Assembly Documentation |       |                 |           |     |       |   |    |   |
| Product(s): | NX300P                 |       |                 |           |     |       |   |    |   |
| PCB#:       | M1537                  | Rev#: | V05             | EML Rev#: | 03  | Sheet | 4 | Of | 5 |
| Modified:   | 02/12/2014             | File: | Assembly.SchDoc | Tmp Rev:  | V23 |       |   |    |   |

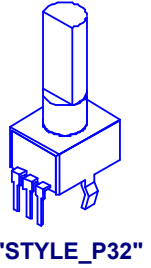
# DESIGN HISTORY AND INFORMATION

## CHANGE HISTORY

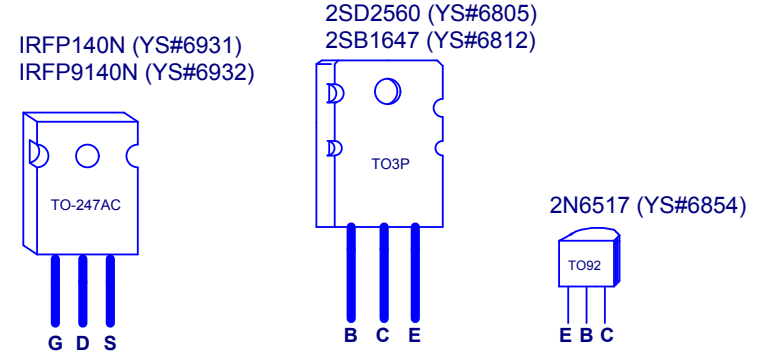
| #  | DATE        | VER# | PC#  | DESCRIPTION OF CHANGE   |
|----|-------------|------|------|---|
| 1  | 20-JUN-2013 | V01  | .    | FIRST PRODUCTION RELEASE. - ML  |
| 2  | 03-JUL-2013 | V02  | 8548 | Move C43 away from C42. - ML  |
| 3  | 21-OCT-2013 | V03  | 8579 | Changed XLR connector J3 to YS#4140. - ML                                       |
| 4  | 20-DEC-2013 | V03  | 8618 | Substituted YS#5255 (1u 63V) for 5254 (1u 63V). See PC for details. - ML        |
| 5  | MAY-27-2014 | V04  | 8632 | GND scheme changed (see PC for details)   |
| 6  | NOV-13-2014 | V04  | 8733 | R106 and R127 changed from 1K0 (#7621) to 470R (#7856).                         |
| 7  |             |      |      | R109 and R125 changed from 33K (#7863) to 27K4 (#7636).                         |
| 8  |             |      | 8734 | Tack on two diodes (#6438) on U1 and U2 as per PC#8734 V04 and earlier version. |
| 9  | DEC-1-2014  | V05  | 8734 | D25,D26 #6438 (1N4007) added across the output of 7815 and 7915 regulators.     |
| 10 | .           | .    | .    | .   |
| 11 | .           | .    | .    | .   |
| 12 | .           | .    | .    | .   |
| 13 | .           | .    | .    | .   |

## POTENTIOMETERS AND KNOBS

| REF | FUNCTION      | POT# | KNOB# | STYLE |
|-----|---------------|------|-------|-------|
| P1  | LINE IN LEVEL | 4434 | 8653  | P32   |
| P2  | TREBLE        | 4434 | 8653  | P32   |
| P3  | BASS          | 4435 | 8653  | P32   |
| P4  | MIC LEVEL     | 4432 | 8653  | P32   |
| .   | .             | .    | .     | .     |
| .   | .             | .    | .     | .     |
| .   | .             | .    | .     | .     |
| .   | .             | .    | .     | .     |
| .   | .             | .    | .     | .     |
| .   | .             | .    | .     | .     |
| .   | .             | .    | .     | .     |
| .   | .             | .    | .     | .     |
| .   | .             | .    | .     | .     |
| .   | .             | .    | .     | .     |
| .   | .             | .    | .     | .     |



## LEADS AND PINS REFERENCE



THIS SHEET CONTAINS A CHANGE HISTORY LOG, A LIST OF THE POTS & KNOBS AND A LEADS & PINS REFERENCE SECTION.