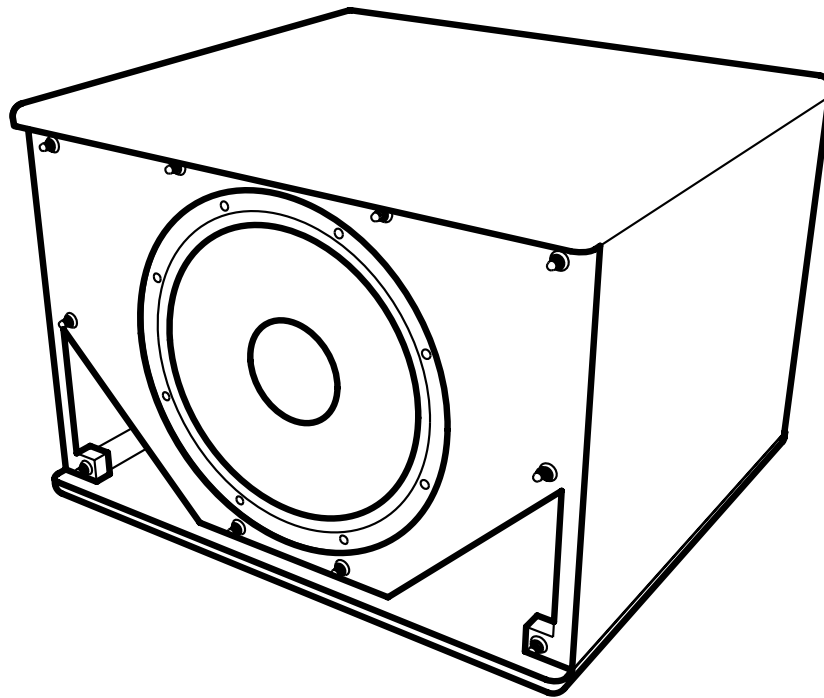


YSS

POWERED STUDIO SUBWOOFER



YSS10

OWNER'S MANUAL
MANUEL DE L'UTILISATEUR



MODEL TYPE: YS2009

IMPORTANT SAFETY INSTRUCTIONS



This lightning flash with arrowhead symbol, within an equilateral triangle, is intended to alert the user to the presence of uninsulated "dangerous voltage" within the product's enclosure that may be of sufficient magnitude to constitute a risk of electric shock to persons.

Ce symbole d'éclair avec tête de flèche dans un triangle équilatéral est prévu pour alerter l'utilisateur de la présence d'un « voltage dangereux » non-isolé à proximité de l'enceinte du produit qui pourrait être d'ampleur suffisante pour présenter un risque de choc électrique.



CAUTION AVIS

**RISK OF ELECTRIC SHOCK
DO NOT OPEN**

**RISQUE DE CHOC ELECTRIQUE
NE PAS OUVRIR**



The exclamation point within an equilateral triangle is intended to alert the user to the presence of important operating and maintenance (servicing) instructions in the literature accompanying the appliance.

Le point d'exclamation à l'intérieur d'un triangle équilatéral est prévu pour alerter l'utilisateur de la présence d'instructions importantes dans la littérature accompagnant l'appareil en ce qui concerne l'opération et la maintenance de cet appareil.



S2125A

FOLLOW ALL INSTRUCTIONS

**Instructions pertaining to a risk of fire,
electric shock, or injury to a person**

**CAUTION: TO REDUCE THE RISK OF ELECTRIC
SHOCK, DO NOT REMOVE COVER (OR BACK).**

NO USER SERVICEABLE PARTS INSIDE.

REFER SERVICING TO QUALIFIED SERVICE PERSONNEL.

THIS DEVICE IS FOR INDOOR USE ONLY!

Read Instructions: The Owner's Manual should be read and understood before operation of your unit. Please, save these instructions for future reference and heed all warnings.

Clean only with dry cloth.

Packaging: Keep the box and packaging materials, in case the unit needs to be returned for service.

Warning: To reduce the risk of fire or electric shock, do not expose this apparatus to rain or moisture. *Do not use this apparatus near water!*

Warning: When using electric products, basic precautions should always be followed, including the following:

Power Sources

Your unit should be connected to a power source only of the voltage specified in the owners manual or as marked on the unit. This unit has a polarized plug. Do not use with an extension cord or receptacle unless the plug can be fully inserted. Precautions should be taken so that the grounding scheme on the unit is not defeated. An apparatus with CLASS I construction shall be connected to a Mains socket outlet with a protective earthing ground. Where the MAINS plug or an appliance coupler is used as the disconnect device, the disconnect device shall remain readily operable.

Hazards

Do not place this product on an unstable cart, stand, tripod, bracket or table. The product may fall, causing serious personal injury and serious damage to the product. Use only with cart, stand, tripod, bracket, or table recommended by the manufacturer or sold with the product. Follow the manufacturer's instructions when installing the product and use mounting accessories recommended by the manufacturer. Only use attachments/accessories specified by the manufacturer

Note: Prolonged use of headphones at a high volume may cause health damage on your ears.

The apparatus should not be exposed to dripping or splashing water; no objects filled with liquids should be placed on the apparatus.

Terminals marked with the "lightning bolt" are hazardous live; the external wiring connected to these terminals require installation by an instructed person or the use of ready made leads or cords.

Ensure that proper ventilation is provided around the appliance. Do not install near any heat sources such as radiators, heat registers, stoves, or other apparatus (including amplifiers) that produce heat.

No naked flame sources, such as lighted candles, should be placed on the apparatus.

Power Cord

Do not defeat the safety purpose of the polarized or grounding-type plug. A polarized plug has two blades with one wider than the other. A grounding type plug has two blades and a third grounding prong. The wide blade or the third prong are provided for your safety. If the provided plug does not fit into your outlet, consult an electrician for replacement of the obsolete outlet. The AC supply cord should be routed so that it is unlikely that it will be damaged. Protect the power cord from being walked on or pinched particularly at plugs. If the AC supply cord is damaged DO NOT OPERATE THE UNIT. To completely disconnect this apparatus from the AC Mains, disconnect the power supply cord plug from the AC receptacle. The mains plug of the power supply cord shall remain readily operable.

Unplug this apparatus during lightning storms or when unused for long periods of time.

Service

The unit should be serviced only by qualified service personnel. Servicing is required when the apparatus has been damaged in any way, such as power-supply cord or plug is damaged, liquid has been spilled or objects have fallen into the apparatus, the apparatus has been exposed to rain or moisture, does not operate normally, or has been dropped.

SUIVEZ TOUTES LES INSTRUCTIONS

**Instructions relatives au risque de feu,
choc électrique, ou blessures aux personnes**

**AVIS: AFIN DE REDUIRE LES RISQUE DE CHOC ELECTRIQUE,
N'ENLEVEZ PAS LE COUVERT (OU LE PANNEAU ARRIERE)**

NE CONTIENT AUCUNE PIECE REPARABLE PAR L'UTILISATEUR.

CONSULTEZ UN TECHNICIEN QUALIFIE POUR L'ENTRETIEN

CE PRODUIT EST POUR L'USAGE À L'INTÉRIEUR SEULEMENT

Veillez Lire le Manuel: Il contient des informations qui devraient être comprises avant l'opération de votre appareil. Conservez. Gardez S.V.P. ces instructions pour consultations ultérieures et observez tous les avertissements.

Nettoyez seulement avec le tissu sec.

Emballage: Conservez la boîte au cas où l'appareil devait être retourner pour réparation.

Avertissement: Pour réduire le risque de feu ou la décharge électrique, n'exposez pas cet appareil à la pluie ou à l'humidité. *N'utilisez pas cet appareil près de l'eau!*

Attention: Lors de l'utilisation de produits électrique, assurez-vous d'adhérer à des précautions de bases incluant celle qui suivent:

Alimentation

L'appareil ne doit être branché qu'à une source d'alimentation correspondant au voltage spécifié dans le manuel ou tel qu'indiqué sur l'appareil. Cet appareil est équipé d'une prise d'alimentation polarisée. Ne pas utiliser cet appareil avec un cordon de raccordement à moins qu'il soit possible d'insérer complètement les trois lames. Des précautions doivent être prises afin d'éviter que le système de mise à la terre de l'appareil ne soit désengagé. Un appareil construit selon les normes de CLASS I devrait être raccordé à une prise murale d'alimentation avec connexion intacte de mise à la masse. Lorsqu'une prise de branchement ou un coupleur d'appareils est utilisée comme dispositif de débranchement, ce dispositif de débranchement devra demeurer pleinement fonctionnel avec raccordement à la masse.

Risque

Ne pas placer cet appareil sur un chariot, un support, un trépied ou une table instables. L'appareil pourrait tomber et blesser quelqu'un ou subir des dommages importants. Utiliser seulement un chariot, un support, un trépied ou une table recommandés par le fabricant ou vendus avec le produit. Suivre les instructions du fabricant pour installer l'appareil et utiliser les accessoires recommandés par le fabricant. Utilisez seulement les attachements/accessoires indiqués par le fabricant

Note: L'utilisation prolongée des écouteurs à un volume élevé peut avoir des conséquences néfastes sur la santé sur vos oreilles. .

Il convient de ne pas placer sur l'appareil de sources de flammes nues, telles que des bougies allumées.

L'appel ne doit pas être exposé à des égouttements d'eau ou des éclaboussures et qu'aucun objet rempli de liquide tel que des vases ne doit être placé sur l'appareil.

Assurez que l'appareil est fourni de la propre ventilation. Ne procédez pas à l'installation près de source de chaleur tels que radiateurs, registre de chaleur, fours ou autres appareils (incluant les amplificateurs) qui produisent de la chaleur.

Les dispositifs marqués d'une symbole "d'éclair" sont des parties dangereuses au toucher et que les câblages extérieurs connectés à ces dispositifs de connection extérieure doivent être effectués par un opérateur formé ou en utilisant des cordons déjà préparés.

Cordon d'Alimentation


Ne pas enlever le dispositif de sécurité sur la prise polarisée ou la prise avec tige de mise à la masse du cordon d'alimentation. Une prise polarisée dispose de deux lames dont une plus large que l'autre. Une prise avec tige de mise à la masse dispose de deux lames en plus d'une troisième tige qui connecte à la masse. La lame plus large ou la tige de mise à la masse est prévu pour votre sécurité. La prise murale est désuète si elle n'est pas conçue pour accepter ce type de prise avec dispositif de sécurité. Dans ce cas, contactez un électricien pour faire remplacer la prise murale. Évitez d'endommager le cordon d'alimentation. Protégez le cordon d'alimentation. Assurez-vous qu'on ne marche pas dessus et qu'on ne le pince pas en particulier aux prises. **N'UTILISEZ PAS L'APPAREIL** si le cordon d'alimentation est endommagé. Pour débrancher complètement cet appareil de l'alimentation CA principale, déconnectez le cordon d'alimentation de la prise d'alimentation murale. Le cordon d'alimentation du bloc d'alimentation de l'appareil doit demeurer pleinement fonctionnel.

Débranchez cet appareil durant les orages ou si inutilisé pendant de longues périodes.

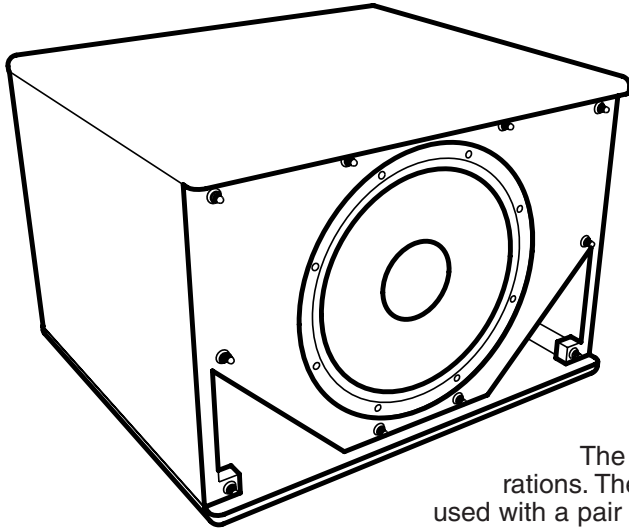
Service

Consultez un technicien qualifié pour l'entretien de votre appareil. L'entretien est nécessaire quand l'appareil a été endommagé de quelque façon que se soit. Par exemple si le cordon d'alimentation ou la prise du cordon sont endommagés, si il y a eu du liquide qui a été renversé à l'intérieur ou des objets sont tombés dans l'appareil, si l'appareil a été exposé à la pluie ou à l'humidité, si il ne fonctionne pas normalement, ou a été échappé.

IMPORTANT SAFETY INSTRUCTIONS

1. Read these instructions – All the safety and operating instructions should be read before this product is operated.
2. Keep these instructions – The safety and operating instructions should be retained for future reference.
3. Heed all warnings – All warnings on the appliance and in the operating instructions should be adhered to.
4. Follow all instructions – All operating and use instructions should be followed.
5. Do not use this apparatus near water – The appliance should not be used near water or moisture – for example, in a wet basement or near a swimming pool, and the like.
6. Clean only with dry cloth.
7. Do not block any ventilation openings. Install in accordance with the manufacture's instructions.
8. Do not install near any heat sources such as radiators, heat registers, stoves, or other apparatus (including amplifiers) that produce heat.
9. Do not defeat the safety purpose of the polarized or grounding plug. A polarized plug has two blades with one wider than the other. A grounding plug has two blades and a third grounding prong. The wide blade or the third prong is provided for your safety. If the provided plug does not fit into your outlet, consult an electrician for replacement of the obsolete outlet.
10. Protect the power cord from being walked on or pinched particularly at the plugs, convenience receptacles, and at the point where they exit from the apparatus.
11. Only use attachments/accessories specified by the manufacturer.
12. Use only with the cart, stand, tripod, bracket, or table specified by the manufacturer, or sold with the apparatus. When a cart or rack is used, use caution when moving the cart/apparatus combination to avoid injury from tip-over.
13. Unplug the apparatus during lightning storms or when unused for long periods of time.
14. Refer all servicing to qualified personnel. Servicing is required when the apparatus has been damaged in any way, such as power supply cord or plug is damaged, liquid has been spilled or objects have fallen into the apparatus has been exposed to rain or moisture, does not operate normally, or has been dropped.
15. **WARNING** :To reduce the risk of fire or electric shock, do not expose this apparatus to rain or moisture. The apparatus shall not be exposed to dripping or splashing and that objects filled with liquids, such as vases, shall not be placed on apparatus.
16. **WARNING**: The mains plug is used as disconnect device, the disconnect device shall remain readily operable
17.  Correct Disposal of this product. This marking indicates that this product should not be disposed with other household wastes throughout the EU. To prevent possible harm to the environment or human health from uncontrolled waste disposal, recycle it responsibly to promote the sustainable reuse of material resources. To return your used device, please use the return and collection systems or contact the retailer where the product was purchased. They can take this product for environmental safe recycling.
18. Voltage selector: Used to adjust the input rating (110-120 Vac 50/60 Hz and 220-240 Vac 50/60 Hz), please just insert the mains power plug into the socket-outlet with voltage within the setting of the selector. The current ratings of mains fuse links are different for different input rating (see marking for details), and the fitted mains fuse link was just related to the input rating as setting of the selector during factory assembly line work, please ask a qualified personnel to help you replace the mains fuse link before you adjust the voltage selector.





Introduction

The Yorkville Sound YSS10 10-inch active subwoofer offers one of the best values available today. Created as an easy-to-setup addition to any P.A., the YSS10 can extend the bass of a typical sound system with the least amount of complication or frustration.

Configuration

The YSS10 can be used in many different configurations. The basic system configuration is a single YSS10 used with a pair of full-range loudspeakers, typically a pair of Yorkville Sound's YSM5, YSM6 or YSM8s. Multiple YSS10s can also be used with full-range enclosures if more bass output is required. Multiple YSS10s can be daisy-chained through the Link jacks while full-range loudspeakers can be properly fed a filtered signal from the High Pass Output jacks.

1. YSS10 Level Control

The YSS10 Level control sets the amount of bass added to the sound system by the YSS10. This adjusts for the relative sensitivity of the companion full-range speakers and the desired system frequency response. This control should be set by listening while operating at a medium level (i.e. before the onset of limiting) and then not changed. It is not possible to set this control properly at high levels since the limiter will be determining the output level.



A setting of 0 dB on the YSS10 Level control is the correct starting point when setting up a sound system. From there, adjustments can be made for the best sound. The 0 dB mark refers to the setting that will give full power when the line input is used and the input signal is at a level of +4 dBV.

2. Input Jacks

Use the input jacks to feed the YSS10 with a mono or stereo signal from your source. It is preferred that your source go directly to the YSS10 and then be looped up to your full-range loudspeakers via the High Pass Output jacks.



For mono signals, the Left/Mono jack can use a cable with a 1/4-inch or XLR connector. When using stereo signals, the YSS10 will sum the Left and Right signals internally.

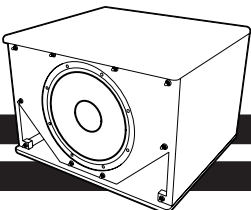
Note: stereo separation is maintained for signals leaving the Link and High Pass Output jacks.

3. Link Jacks

The Link jacks are directly connected to the input jacks. Use these jacks to send your source signal on to additional YSS10 subs.

4. High Pass Output Jacks

High Pass output jacks are provided to eliminate the need for an external crossover. Use these jacks to feed the input of your full-range loudspeakers. The signal being sent through these jacks has the audio below 80 Hz rolled-off allowing for a flat system response when feeding the full-range loudspeakers.





5. Ground Lift Switch

In normal operation, keep the Ground Lift switch in the depressed position. If an audible hum is present in your system, try “lifting” the ground to break a ground loop in your system.

6. Phase Control Switch

The phase control switch will flip the sub's phase by 180°, this is desirable in certain cases when you need to reduce (or increase) the response at the cross over point between the monitors and the subwoofers.

7. Foot switch Control

In some cases it is desirable to shut off the output from the sub in order to listen to the monitors only for editing purposes, this can be done by adding a foot switch to the foot switch jack at the back of the unit.

8. Crossover control

This control can adjust the crossover point desired between the monitors and the sub, it can control the frequencies between 50 to 200 Hz, this will optimize the response at required cross over point..

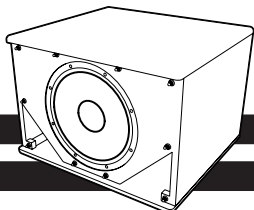


9. Protection and Indicators

The YSS10 has circuitry to prevent clipping, over-current and over-excursion. At high levels, the internal limiter will limit the gain of the YSS10; if the user attempts to set the subwoofer level control at a high level, the resulting setting will be incorrect. The level control should be set while operating at low levels (under 10 watts). If the level control is set too high, the input circuit will clip and the dynamics of the bass will be lost.

In normal operation, the rear indicator will flash green when a signal is present. When the indicator starts flashing red, the limiter is engaging. Increasing the input signal beyond this point will potentially result in clipping.

AT HIGH POWER LEVELS WHEN THE LIMITER IS OPERATING INCREASING THE SUBWOOFER LEVEL CONTROL WILL NOT INCREASE THE OUTPUT. DO NOT INCREASE SETTING WHILE OPERATING AT HIGH LEVELS.



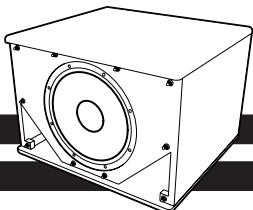
YSS

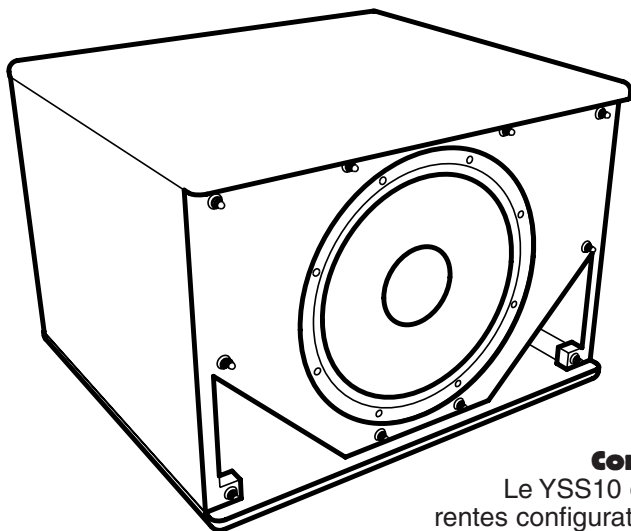
POWERED STUDIO SUBWOOFER

YSS10

Specifications

Model	YSS10
System Type	Subwoofer
Active or Passive	Active
Program Power (Watts)	250 Watts
Max SPL (dB)	120 dB (continuous)
Frequency Response (Hz +/- 3db)	50-150Hz
Crossover Frequency (Hz)	80Hz
LF Driver(s)	10-inch ceramic
LF Program Power(Watts)	250
LF Impedance(ohms)	4
LF Power Amplifier (Watts)	class D 250 watts
Inputs	1 x Combi-Jack (l/mono) 1 x XLR (right)
Cooling Scheme	fan
LED Indicators	yes
Limiter	yes
LED Indicators	power, signal, clip
Outputs	2 x XLR Link Thru / 2 x XLR High Pass (80Hz crossover)
Other Controls / Features	Gain Control, Ground Lift, Integrated Crossover (80Hz High Pass Output for Top Cabinets)
Corners	Metal
Feet	Rubber
Wheels	No
Bar Handles	2 (side)
Pole Mount Adapter (1 3/8-inch/3.5cm)	Yes (top)
Enclosure Materials	15 mm (5/8-inch) plywood
Grille	Custom Punched Black Perforated Metal
Covering / Finish	Black Semi-Gloss Vinyl
Dimensions (DWH xbackW, inches)	12 x 13.5 x 19 x5.75
Dimensions (DWH xbackW, cm)	30.5 x 34.3 x 48.3 x 14.6
Weight (lbs/kg)	36 / 16.3





Introduction

Le YSS10 de Yorkville Sound représente une valeur inégalée pour la catégorie de subwoofer actif avec haut-parleur de 10 pouces. Conçu pour être une addition simple d'installation pour tout système de sonorisation, le YSS10 permettra de facilement rehausser les graves d'un système typique.

Configuration

Le YSS10 de Yorkville Sound peut être utilisé dans différentes configurations. Le système de base est un YSS10 utilisé avec une paire de haut-parleurs pleine bande, habituellement les YSM5, YSM6 ou YSM8 de Yorkville Sound. De multiples YSS10 peuvent aussi être utilisés avec plusieurs enceintes pleine bande si un niveau plus élevé de basse est requis. Vous pouvez raccorder au YSS10 les signaux de niveau ligne stéréo qui seront mélangés avec un circuit interne ainsi que les signaux provenant de source mono. Plusieurs YSS10 peuvent être enchaînés par l'intermédiaire des prises Link et un signal filtré peut être correctement acheminé à l'enceinte pleine bande à l'aide des prises de Sortie Passe Haut (High Pass Output).

1. Commande de Niveau du YSS10

La commande de niveau règle la quantité de basse ajoutée au système audio par le YSS10. Elle permet l'ajustement selon la sensibilité relative de l'enceinte pleine bande qu'elle accompagne et la réponse en fréquence désirée pour le système. Cette commande devrait être réglée à l'écoute lors d'une opération à un niveau moyen (c'est à dire avant l'apparition de la limitation) et devrait ensuite demeurer inchangée. Il n'est pas possible de régler correctement cette commande lors d'opération à niveau élevé puisque le limiteur déterminera dans ce cas le niveau de sortie.

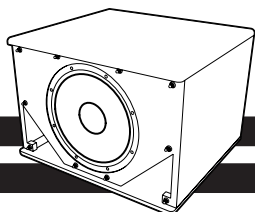
Le réglage à 0 dB de la commande de niveau du YSS10 est le bon point de départ lors de l'ajustement initial d'un système de sonorisation. Les ajustements peuvent ensuite être effectués pour obtenir le meilleur son. La marque de 0 dB représente le réglage qui offrira la pleine puissance lorsque la prise d'entrée ligne est utilisée et le signal d'entrée est à un niveau de +4 dBV.

2. Prises d'Entrées

Utilisez les prises d'entrées pour acheminer un signal provenant d'une source mono ou stéréo au YSS10. Il est préférable que votre signal de source soit acheminé directement au YSS10 et ensuite à vos haut-parleurs pleine bande par l'entremise des prises de sortie High Pass.

Pour les signaux mono, la prise identifiée Left/Mono permet le raccordement de câbles avec prise 1/4 de pouce ou XLR. Lors de l'utilisation de signaux stéréo, la somme des signaux de gauche et droite est mélangé par un circuit interne du YSS10.

Remarque: la séparation stéréo est maintenue pour les signaux qui sont par la suite acheminés par les prises de raccordement Link et High Pass output.





3. Prises Link

Les prises Link sont connectées directement aux prises d'entrées. Utilisez ces prises pour acheminer les signaux de source à des YSS10 supplémentaires.

4. Prises de Sorties Passe Haut (High Pass)

Des prises de sorties Passe Haut sont prévues pour éliminer le besoin d'un filtre séparateur externe. Utilisez ces prises pour alimenter l'entrée de vos haut-parleurs pleine gamme. Le signal provenant de ces prises est dépourvu des fréquences en dessous de 80 Hz. Il permet ainsi une réponse en fréquence uniforme pour le système lors de l'alimentation des haut-parleurs pleine gamme.

5. Commutateur Ground Lift

Durant le fonctionnement normal, maintenez la touche Ground Lift en position enfoncée. Si un bourdonnement sonore est présent dans votre système, essayez de déconnecter la masse pour causer une rupture dans la boucle de masse dans votre système.

6. Sélecteur de Contrôle de Phase

Le sélecteur de contrôle de phase va renverser la phase du subwoofer de 180 °. Cela est souhaitable dans certains cas, lorsque vous avez besoin de réduire (ou augmenter) la réponse au point de croisement entre les moniteurs et les caissons de basses.



7. Pédale de Contrôle

Dans certains cas, il est souhaitable de couper la sortie des subwoofers pour écouter uniquement les moniteurs pour des fins d'édition, cela peut être fait par l'ajout d'un commutateur au pied à la prise de pédale située à l'arrière de l'appareil.

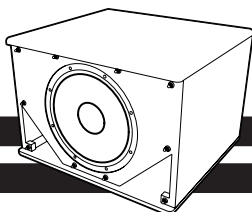
8. Contrôle de Filtre Séparateur

Ce contrôle peut régler le point de coupure souhaitée entre les moniteurs et le subwoofer, il peut contrôler les fréquences entre 50 et 200 Hz, pour optimiser la réponse à la fréquence de coupure.

9. Protection et Indicateurs

Les circuits du YSS10 permettent d'éviter l'écrêtage, la surcharge de courant et le déplacement excessif du haut-parleur. Lors de l'opération à des niveaux élevés, le limiteur interne limitera le gain du YSS10 donc si l'utilisateur tente de régler la commande de niveau du subwoofer à un niveau élevé, le réglage qui en résultera sera incorrect. Le réglage de la commande de niveau devrait être effectué durant l'opération à des niveaux faibles (moins de 10 watts). Si la commande de volume est à un niveau trop élevé, le circuit d'entrée écrêtera le signal et la dynamique de la basse sera perdue. Durant le fonctionnement normal, l'indicateur de l'arrière clignote avec une couleur verte lorsqu'un signal est présent. L'indicateur vous informe que le limiteur est engagé lorsqu'il commence à clignoter avec une couleur rouge. L'augmentation du niveau du signal d'entrée au-delà ce point pourrait éventuellement entraîner l'écrêtage.

À DES NIVEAUX DE PUISSANCE ÉLEVÉS LORSQUE LE LIMITEUR EST OPÉRATIONNEL AUGMENTER LE NIVEAU DU SUBWOOFER NE PRODUIRA PAS UNE AUGMENTATION DU NIVEAU DE SORTIE. NE PAS AUGMENTER LE RÉGLAGE DURANT L'OPÉRATION À DES NIVEAUX ÉLEVÉ.



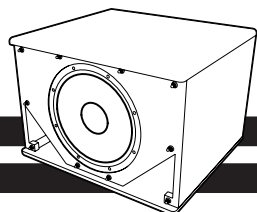
YSS

POWERED STUDIO SUBWOOFER

YSS10

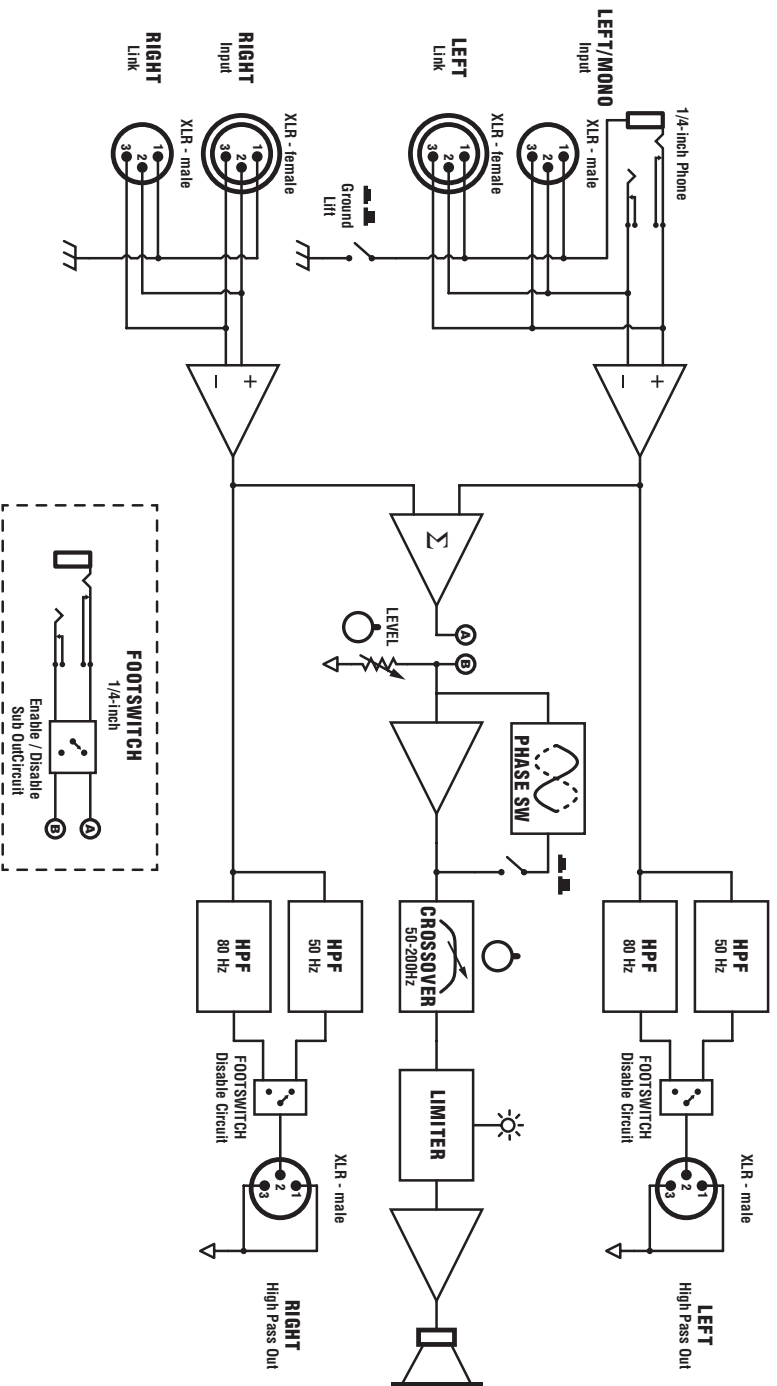
Spécifications

Modèle	YSS10
Type de Système	Subwoofer
Actif ou Passif	Actif
Puissance Nominale (Watts)	250 Watts
Niveau de Pression Sonore Max (dB)	120 dB (continue)
Réponse en Fréquence (Hz +/- 3db)	50-150Hz
Fréquence de Filtre Séparateur (Hz):	80Hz
Driver(s) pour Basses Fréquences	10 pouces céramique
Puissance Nominale BF (Watts)	250
Impédance BF (ohms)	4
Amplificateur de Puissance BF (Watts)	class D 250 watts
Entrées	1 x Combi-Jack (l/mono) 1 x XLR (right)
Dispositif de Refroidissement	fan
DEL indicatrices	yes
Limiteur	yes
DEL indicatrices	power, signal, clip
Sorties	2 x XLR Link Thru / 2 x XLR High Pass (80Hz crossover) Gain Control, Ground Lift, Integrated Crossover
Autres commandes / Caractéristiques	(80Hz High Pass Output for Top Cabinets)
Coins	Metal
Pieds	Rubber
Roues	No
Piognées	2 (side)
Adaptateur de fixation poteau (1 3/8-pouce/3.5cm)	Yes (top)
Matériaux de construction	15 mm (5/8-inch) plywood
Grille	Custom Punched Black Perforated Metal
Recouvrement/ Finition	Black Semi-Gloss Vinyl
Dimensions (PLH x L arrière, pouces)	12 x 13.5 x 19 x 5.75
Dimensions (PLH x L arrière, cm)	30.5 x 34.3 x 48.3 x 14.6
Poids (livres/kg)	36 / 16.3



Block Diagram for YSS10

DESIGNED & MANUFACTURED BY YORKVILLE SOUND





Two & Ten Year Warranty

Unlimited Warranty

Yorkville's two and ten-year unlimited warranty on this product is transferable and does not require registration with Yorkville Sound or your dealer. If this product should fail for any reason within two years of the original purchase date (ten years for the wooden enclosure), simply return it to your Yorkville dealer with original proof of purchase and it will be repaired free of charge. This includes all Yorkville products, except for the YSM Series studio monitors, Coliseum Mini Series and TX Series Loudspeakers.

Freight charges, consequential damages, weather damage, damage as a result of improper installation, damages due to exposure to extreme humidity, accident or natural disaster are excluded under the terms of this warranty. Warranty does not cover consumables such as vacuum tubes or par bulbs. See your Yorkville dealer for more details. Warranty valid only in Canada and the United States.

Garantie Illimitée

La garantie illimitée de deux et dix ans de ce produit est transférable. Il n'est pas nécessaire de faire enregistrer votre nom auprès de Yorkville Sound ou de votre détaillant. Si, pour une raison quelconque, ce produit devient défectueux durant les deux années qui suivent la date d'achat initial (dix ans pour l'ébénisterie), retournez-le simplement à votre détaillant Yorkville avec la preuve d'achat original et il sera réparé gratuitement. Ceci inclus tous les produits Yorkville à l'exception de la série de moniteurs de studio YSM, la mini série Coliseum et de la série TX.

Les frais de port et de manutention ainsi que les dommages indirects ou dommages causés par désastres naturels, extrême humidité ou mauvaise installation ne sont pas couverts par cette garantie. Cette garantie ne couvre pas les produits consommables tels que lampe d'amplificateur ou ampoules "PAR". Voir votre détaillant Yorkville pour plus de détails. Cette garantie n'est valide qu'au Canada et aux États Unis d'Amérique.

REAL Gear.
REAL People.



Canada U.S.A.

Voice: (905) 837-8481 Voice: (716) 297-2920
Fax: (905) 837-8746 Fax: (716) 297-3689

www.yorkville.com

Yorkville Sound Yorkville Sound Inc.
550 Granite Court 4625 Witmer Industrial Estate
Pickering, Ontario Niagara Falls, New York
L1W-3Y8 CANADA 14305 USA



WEB: www.yorkville.com

**WORLD HEADQUARTERS
CANADA**

Yorkville Sound
550 Granite Court
Pickering, Ontario
L1W-3Y8 CANADA

Voice: (905) 837-8481
Fax: (905) 837-8746

U.S.A.

Yorkville Sound Inc.
4625 Witmer Industrial Estate
Niagara Falls, New York
14305 USA

Voice: (716) 297-2920
Fax: (716) 297-3689



Quality and Innovation Since 1963

Printed in China

Manual-Owners-yss10-00-1v1 • March 13, 2012