

**S E R I E S T W O**

**nx25<sup>P</sup>** 

**300 WATT POWERED LOUDSPEAKER ENCLOSURE**



TYPE: YS1107

**OWNER'S MANUAL**  
**MANUEL de L'UTILISATEUR**



# IMPORTANT SAFETY INSTRUCTIONS



This lightning flash with arrowhead symbol, within an equilateral triangle, is intended to alert the user to the presence of uninsulated "dangerous voltage" within the product's enclosure that may be of sufficient magnitude to constitute a risk of electric shock to persons.

Ce symbole d'éclair avec tête de flèche dans un triangle équilatéral est prévu pour alerter l'utilisateur de la présence d'un « voltage dangereux » non-isolé à proximité de l'enceinte du produit qui pourrait être d'ampleur suffisante pour présenter un risque de choc électrique.



## CAUTION AVIS

**RISK OF ELECTRIC SHOCK  
DO NOT OPEN**

**RISQUE DE CHOC ELECTRIQUE  
NE PAS OUVRIR**



Caution: hot surface  
Attention: surface chaude

IEC 60417-5041



The exclamation point within an equilateral triangle is intended to alert the user to the presence of important operating and maintenance (servicing) instructions in the literature accompanying the appliance.



Le point d'exclamation à l'intérieur d'un triangle équilatéral est prévu pour alerter l'utilisateur de la présence d'instructions importantes dans la littérature accompagnant l'appareil en ce qui concerne l'opération et la maintenance de cet appareil.

## FOLLOW ALL INSTRUCTIONS

**Instructions pertaining to a risk of fire,  
electric shock, or injury to a person**

**CAUTION: TO REDUCE THE RISK OF ELECTRIC  
SHOCK, DO NOT REMOVE COVER (OR BACK).**

**NO USER SERVICEABLE PARTS INSIDE.**

**REFER SERVICING TO QUALIFIED SERVICE PERSONNEL.**

**THIS DEVICE IS FOR INDOOR USE ONLY!**

**Read Instructions:** The Owner's Manual should be read and understood before operation of your unit. Please, save these instructions for future reference and heed all warnings.

Clean only with dry cloth.

**Packaging:** Keep the box and packaging materials, in case the unit needs to be returned for service.

**Warning:** To reduce the risk of fire or electric shock, do not expose this apparatus to rain or moisture. *Do not use this apparatus near water!*

**Warning:** When using electric products, basic precautions should always be followed, including the following:

### Power Sources

Your unit should be connected to a power source only of the voltage specified in the owners manual or as marked on the unit. This unit has a polarized plug. Do not use with an extension cord or receptacle unless the plug can be fully inserted. Precautions should be taken so that the grounding scheme on the unit is not defeated. An apparatus with CLASS I construction shall be connected to a Mains socket outlet with a protective earthing ground. Where the MAINS plug or an appliance coupler is used as the disconnect device, the disconnect device shall remain readily operable.

### Hazards

Do not place this product on an unstable cart, stand, tripod, bracket or table. The product may fall, causing serious personal injury and serious damage to the product. Use only with cart, stand, tripod, bracket, or table recommended by the manufacturer or sold with the product. Follow the manufacturer's instructions when installing the product and use mounting accessories recommended by the manufacturer. Only use attachments/accessories specified by the manufacturer

Note: Prolonged use of headphones at a high volume may cause health damage on your ears.

The apparatus should not be exposed to dripping or splashing water; no objects filled with liquids should be placed on the apparatus.

Terminals marked with the "lightning bolt" are hazardous live; the external wiring connected to these terminals require installation by an instructed person or the use of ready made leads or cords.

Ensure that proper ventilation is provided around the appliance. Do not install near any heat sources such as radiators, heat registers, stoves, or other apparatus (including amplifiers) that produce heat.

No naked flame sources, such as lighted candles, should be placed on the apparatus.

### Power Cord

Do not defeat the safety purpose of the polarized or grounding-type plug. A polarized plug has two blades with one wider than the other. A grounding type plug has two blades and a third grounding prong. The wide blade or the third prong are provided for your safety. If the provided plug does not fit into your outlet, consult an electrician for replacement of the obsolete outlet. The AC supply cord should be routed so that it is unlikely that it will be damaged. Protect the power cord from being walked on or pinched particularly at plugs. If the AC supply cord is damaged DO NOT OPERATE THE UNIT. To completely disconnect this apparatus from the AC Mains, disconnect the power supply cord plug from the AC receptacle. The mains plug of the power supply cord shall remain readily operable.

Unplug this apparatus during lightning storms or when unused for long periods of time.

### Service

The unit should be serviced only by qualified service personnel. Servicing is required when the apparatus has been damaged in any way, such as power-supply cord or plug is damaged, liquid has been spilled or objects have fallen into the apparatus, the apparatus has been exposed to rain or moisture, does not operate normally, or has been dropped.

## SUIVEZ TOUTES LES INSTRUCTIONS

**Instructions relatives au risque de feu,  
choc électrique, ou blessures aux personnes**

**AVIS: AFIN DE REDUIRE LES RISQUE DE CHOC ELECTRIQUE,  
N'ENLEVEZ PAS LE COUVERT (OU LE PANNEAU ARRIERE)**

**NE CONTIENT AUCUNE PIECE REPARABLE PAR L'UTILISATEUR.**

**CONSULTEZ UN TECHNICIEN QUALIFIE POUR L'ENTRETIEN**

**CE PRODUIT EST POUR L'USAGE À L'INTÉRIEUR SEULEMENT**

**Veillez Lire le Manuel:** Il contient des informations qui devraient étre comprises avant l'opération de votre appareil. Conservez. Gardez S.V.P. ces instructions pour consultations ultérieures et observez tous les avertissements.

Nettoyez seulement avec le tissu sec.

**Emballage:** Conservez la boîte au cas où l'appareil devait étre retourner pour réparation.

**Avertissement:** Pour réduire le risque de feu ou la décharge électrique, n'exposez pas cet appareil à la pluie ou à l'humidité. *N'utilisez pas cet appareil près de l'eau!*

**Attention:** Lors de l'utilisation de produits électrique, assurez-vous d'adhérer à des précautions de bases incluant celle qui suivent:

### Alimentation

L'appareil ne doit étre branché qu'à une source d'alimentation correspondant au voltage spécifié dans le manuel ou tel qu'indiqué sur l'appareil. Cet appareil est équipé d'une prise d'alimentation polarisée. Ne pas utiliser cet appareil avec un cordon de raccordement à moins qu'il soit possible d'insérer complètement les trois lames. Des précautions doivent étre prises afin d'éviter que le système de mise à la terre de l'appareil ne soit désengagé. Un appareil construit selon les normes de CLASS I devrait étre raccordé à une prise murale d'alimentation avec connexion intacte de mise à la masse. Lorsqu'une prise de branchement ou un coupleur d'appareils est utilisée comme dispositif de débranchement, ce dispositif de débranchement devra demeurer pleinement fonctionnel avec raccordement à la masse.

### Risque

Ne pas placer cet appareil sur un chariot, un support, un trépied ou une table instables. L'appareil pourrait tomber et blesser quelqu'un ou subir des dommages importants. Utiliser seulement un chariot, un support, un trépied ou une table recommandés par le fabricant ou vendus avec le produit. Suivre les instructions du fabricant pour installer l'appareil et utiliser les accessoires recommandés par le fabricant. Utilisez seulement les attachements/accessoires indiqués par le fabricant

Note: L'utilisation prolongée des écouteurs à un volume élevé peut avoir des conséquences néfastes sur la santé sur vos oreilles. .

Il convient de ne pas placer sur l'appareil de sources de flammes nues, telles que des bougies allumées.

L'appel ne doit pas étre exposé à des égouttements d'eau ou des éclaboussures et qu'aucun objet rempli de liquide tel que des vases ne doit étre placé sur l'appareil.

Assurez que l'appareil est fourni de la propre ventilation. Ne procédez pas à l'installation près de source de chaleur tels que radiateurs, registre de chaleur, fours ou autres appareils (incluant les amplificateurs) qui produisent de la chaleur.

Les dispositifs marqués d'une symbole "d'éclair" sont des parties dangereuses au toucher et que les câblages extérieurs connectés à ces dispositifs de connection extérieure doivent étre effectués par un opérateur formé ou en utilisant des cordons déjà préparés.

### Cordon d'Alimentation

Ne pas enlever le dispositif de sécurité sur la prise polarisée ou la prise avec tige de mise à la masse du cordon d'alimentation. Une prise polarisée dispose de deux lames dont une plus large que l'autre. Une prise avec tige de mise à la masse dispose de deux lames en plus d'une troisième tige qui connecte à la masse. La lame plus large ou la tige de mise à la masse est prévu pour votre sécurité. La prise murale est désuète si elle n'est pas conçue pour accepter ce type de prise avec dispositif de sécurité. Dans ce cas, contactez un électricien pour faire remplacer la prise murale. Évitez d'endommager le cordon d'alimentation. Protégez le cordon d'alimentation. Assurez-vous qu'on ne marche pas dessus et qu'on ne le pince pas en particulier aux prises. **N'UTILISEZ PAS L'APPAREIL** si le cordon d'alimentation est endommagé. Pour débrancher complètement cet appareil de l'alimentation CA principale, déconnectez le cordon d'alimentation de la prise d'alimentation murale. Le cordon d'alimentation du bloc d'alimentation de l'appareil doit demeurer pleinement fonctionnel.

Débranchez cet appareil durant les orages ou si inutilisé pendant de longues périodes.

### Service

Consultez un technicien qualifié pour l'entretien de votre appareil. L'entretien est nécessaire quand l'appareil a été endommagé de quelque façon que se soit. Par exemple si le cordon d'alimentation ou la prise du cordon sont endommagés, si il y a eu du liquide qui a été renversé à l'intérieur ou des objets sont tombés dans l'appareil, si l'appareil a été exposé à la pluie ou à l'humidité, si il ne fonctionne pas normalement, ou a été échappé.

## IMPORTANT SAFETY INSTRUCTIONS (UL60065)



The Lightning Flash with arrowhead symbol within an equilateral triangle, is intended to alert the user to the presence of uninsulated "dangerous voltage" within the product enclosure that may be of sufficient magnitude to constitute a risk of shock to persons.



The exclamation point within an equilateral triangle is intended to alert the user to the presence of important operating and maintenance (servicing) instructions in the literature accompanying the product

- 1) Read these instructions.
- 2) Keep these instructions.
- 3) Heed all warnings.
- 4) Follow all instructions.
- 5) Do not use this apparatus near water.
- 6) Clean only with dry cloth.
- 7) Do not block any ventilation openings. Install in accordance with the manufacturer's instructions.
- 8) Do not install near any heat sources such as radiators, heat registers, stoves, or other apparatus (including amplifiers) that produce heat.
- 9) Do not defeat the safety purpose of the polarized or grounding-type plug. A polarized plug has two blades with one wider than the other. A grounding type plug has two blades and a third grounding prong. The wide blade or the third prongs are provided for your safety. If the provided plug does not fit into your outlet, consult an electrician for replacement of the obsolete outlet.
- 10) Protect the power cord from being walked on or pinched particularly at plugs, convenience receptacles, and the point where they exit from the apparatus.
- 11) Only use attachments/accessories specified by the manufacturer.
- 12) Use only with the cart, stand, tripod, bracket, or table specified by the manufacturer, or sold with the apparatus. When a cart is used, use caution when moving the cart/apparatus combination to avoid injury from tip-over.
- 13) Unplug this apparatus during lightning storms or when unused for long periods of time.
- 14) Refer all servicing to qualified service personnel. Servicing is required when the apparatus has been damaged in any way, such as power-supply cord or plug is damaged, liquid has been spilled or objects have fallen into the apparatus, the apparatus has been exposed to rain or moisture, does not operate normally, or has been dropped.

### WARNING:

- To reduce the risk of fire or electric shock, do not expose this apparatus to rain or moisture and objects filled with liquids, such as vases, should not be placed on this apparatus.
- To completely disconnect this apparatus from the ac mains, disconnect the power supply cord plug from the ac receptacle.
- The mains plug of the power supply cord or appliance coupler shall remain readily accessible.



### CAUTION

TO PREVENT ELECTRIC SHOCK HAZARD,  
DO NOT CONNECT TO MAINS POWER SUPPLY WHILE GRILLE IS REMOVED.



## **NX25P Series Two - Active Speaker - 600w, 12 inch / 1 inch**

The NX25P Series Two offers a great value for a 12-inch and horn active loudspeaker enclosure. The enclosure uses the same proven design as the NX55P active enclosure. The biamped 600-watt (peak) power module has a minimum of controls yet provides maximum versatility making the NX25P Series Two the ideal solution for many applications.

A 2-band EQ, XLR balanced microphone input and a balanced Combi-jack (XLR / TRS 1/4-inch TRS) line input on the power module means the NX25P Series Two can be easily connected to any source, and setup quickly with a balanced EQ for the room. An XLR balanced line output allows multiple NX25P Series Two's to be linked together for use in a horizontal array or for easy distribution around a large room when used as repeater cabinets.

The horn/tweeter amplifier uses class A/B technology, allowing the horn to produce clean transients to keep up with the high output of the woofer. The woofer (low frequency) amplifier uses class-H 2-tier amplifier technology. This achieves a lighter weight and more efficient audio amplifier with higher headroom and lower operating temperature. Each amplifier has its own limiter to prevent distortion caused by clipping.

The NX25P Series Two enclosures, like all enclosures in the NX loudspeaker line, have been designed for maximum versatility. The trapezoid box is ideal for mounting in arrays, or for use as a monitor cabinet (with well-protected inputs and controls). The NX25P Series Two can easily be used in any orientation, and close to walls, floors and in close arrays with multiple cabinets. Particular care was taken designing the components to reduce extraneous heat production.

### **Features**

- Ultra-durable polypropylene construction
- Dual purpose full range and wedge monitor format enclosure
- Ultra-clear reproduction throughout bandwidth
- Lightweight, high efficiency, high tech, 600-watt (peak) biamped power module
- Balanced Combi-jack (XLR/1/4-inch TRS) input
- An XLR output for easy connection for linking and looping
- Direct microphone input with level control
- Two band overall EQ controls
- 12-inch Ceramic Magnet Woofer
- High quality 1-inch High Frequency driver
- Integrated flying hardware (3/8-inch threaded holes)
- Tough, full length metal grille
- Recessed panel

### **Power Switch and LED**

The Power Switch turns the power on and off for the NX25P Series Two enclosure and the green LED will illuminate when the power is on also indicating a properly functioning fuse.

### **Mic In**

The balanced XLR microphone input can be used with any dynamic or condenser microphone.

### **Line In**

The balanced Combi-jack (XLR/1/4-inch TRS) input can be used with any line source such as a CD player or an electronic instrument with a line output. It's always recommended to use balanced sources



when possible, this helps prevent the risk of hum or buzz associated with unbalanced connections (especially if the cable is long or the source is operated from a separate AC power connection). Since the Mic In and the Line In each have their own input and level controls, they can be used at the same time.

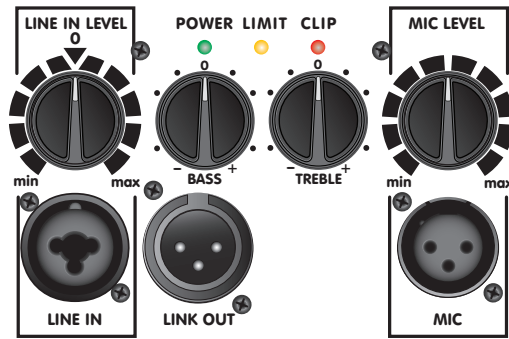
### **Mix Out**

To allow operation of multiple NX25P Series Two enclosures from a single source, the Mix Out line output is provided. It should be connected to the Line In of the next NX25P Series Two in the chain. The Line In level control on the subsequent unit in the chain should be set to 0 dB in order to provide the same output level as the master enclosure. When connecting multiple NX25P Series Two enclosures, the last NX25P Series Two in the chain should be

powered off first (and powered on last). Each NX25P Series Two should be powered on or off before the previous NX25P Series Two in the chain. This will eliminate unwanted on/off noises.

### Mic Gain Control

The microphone level control adjusts the mic level of the loudspeaker. It also adjusts the mic level on all NX25P Series Two enclosures in the chain (if multiple NX25P Series Two enclosures are used).

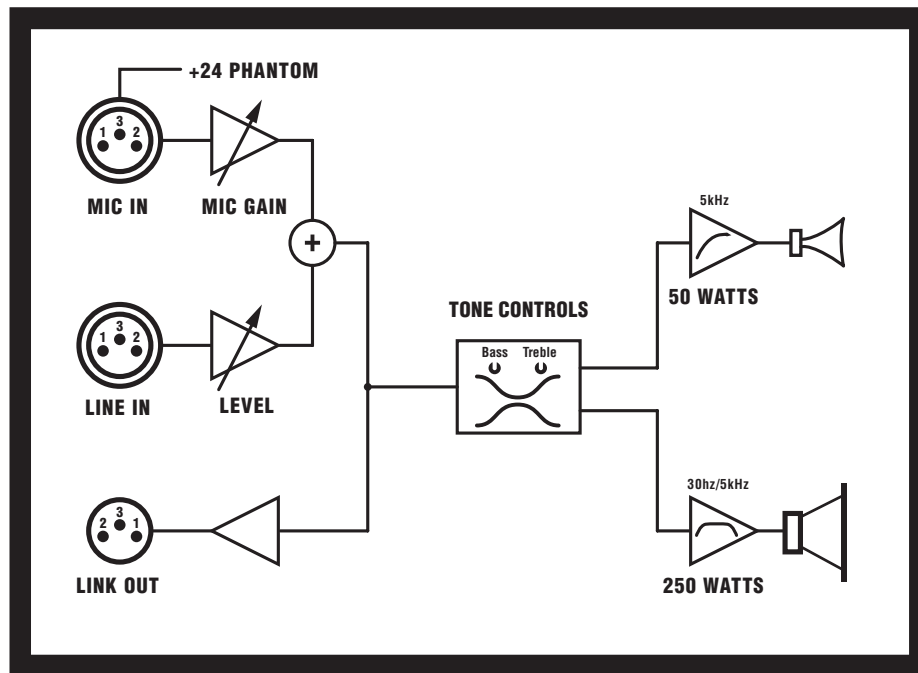


### Treble and Bass Controls

These controls affect all the sound coming out of a particular NX25P Series Two enclosure. These controls do not affect the sound at the Mix Out. In a system with multiple cabinets it will be necessary to adjust the Bass, Treble, Mid and Bass controls on all individual enclosures.

### Limit and Clip LEDs

These LEDs illuminate yellow when signal is limiting and red when the signal is too large for the input and is clipping.





**S E R I E S T W O**

**nx 25<sup>P</sup>**

**300 WATT POWERED LOUDSPEAKER ENCLOSURE**

**Specifications**

<b>System Type</b>	2-Way
<b>Active or Passive</b>	Active
<b>Peak Power (watts)</b>	600
<b>Biampable</b>	Self Powered
<b>Biamp Operation Only</b>	Yes
<b>Max SPL (dB)</b>	125
<b>Frequency Response (Hz +/- 3db)</b>	55 - 26k
<b>Crossover Frequency (Hz)</b>	4000
<b>Driver Configuration</b>	12 inch / 1 inch
<b>HF Driver(s)</b>	1 inch Throat, Ceramic Magnet, 1.4 inch PETP Film
<b>HF Dispersion (°H x °V)</b>	80 x 50
<b>LF Driver(s)</b>	12 inch Ceramic Magnet
<b>Total Power (watts)</b>	300
<b>HF Power Amplifier (watts)</b>	50
<b>HF Amplifier Type</b>	Class A/B
<b>LF Power Amplifier (watts)</b>	250
<b>LF Amplifier Type</b>	Two Tier Class H
<b>Power Cable</b>	Yes
<b>Power Switch</b>	Yes
<b>Power Consumption (typ/max)</b>	120 / 310 Va
<b>Inputs</b>	2
<b>Inputs - 1/4-inch Jacks</b>	1 Line / 1 Mic (XLR Combi jacks)
<b>Input Sensitivity (Vrms Sine)</b>	+4dBv / 1.23V
<b>Mixer Controls</b>	Mic Gain Line In Gain Bass/Treble
<b>Level Controls</b>	Line/Mic
<b>Limiter</b>	Yes
<b>LED Indicators</b>	Power, Limit, Clip
<b>Feet</b>	Yes
<b>Flying Hardware</b>	2 (Top), 2 (Bottom), 1 (Pullback)
<b>Optional Flying Hardware</b>	NX Flyware
<b>Bar Handles</b>	1 (Side)
<b>Enclosure Materials</b>	Injection molded Polypropylene
<b>Grille</b>	Perforated Metal
<b>Dimensions (DWH xbackW, inches)</b>	12.25 x 16 x 26.5 x 9
<b>Dimensions (DWH xbackW, cm)</b>	31.12 x 40.6 x 67.3 x 22.9
<b>Weight (lbs/kg)</b>	45.9 / 20.8

## **NX25P Series Two – Enceinte Active 600w, 12 Pouces / 1 Pouce**

La NX25P Series Two vous procure une valeur exceptionnelle en ce qui concerne les enceintes actives avec HP de 12 pouces et pavillon. L'enceinte est de la même conception que l'enceinte passive NX55P qui a déjà fait ses preuves. Le module de bi-amplification de 600 watts dispose d'un minimum de contrôle mais il offre toutefois une très grande polyvalence. La NX25P sera la solution idéale pour une grande variété d'application.

Grâce à son égalisateur à 2 bandes, son entrée symétrique XLR pour microphone et une entrée ligne (XLR/PBM 1/4-pouce) symétrique combi-jack au module d'amplification de puissance, la NX25P Series Two peut facilement être raccordée à n'importe quelle source et son égalisateur permet en plus d'équilibrer la tonalité pour un rendement optimum dans la salle. Une sortie ligne symétrique XLR permet le branchement de multiple NX25P raccordés ensemble pour utilisation en disposition circulaire ou pour distribution facile dans une grande salle lorsque utilisé comme enceinte "repeater."

L'amplificateur pour Pavillon/Tweeter utilise une technologie de classe A/B. Cela permet au pavillon de reproduire des transitoires claires offrant du même coup une reproduction équilibrée avec le niveau de sortie élevé du haut-parleur de graves. L'amplificateur pour woofer, ou fréquences graves, utilise une technologie de classe H à deux étages. Cela permet d'obtenir une conception légère, une amplification plus efficace avec une plus grande extension dynamique et une température d'opération réduite. Chaque amplificateur dispose de son propre limiteur pour aider à prévenir la distorsion causée par l'écrêtage.

L'enceinte de la NX25P Series Two, comme toutes les enceintes de la série NX, a été conçu pour offrir une polyvalence optimale. Le boîtier en forme trapézoïdal est idéal pour l'assemblage en disposition circulaire ou pour utilisation comme enceinte de retour (avec entrées et contrôle bien protégé.) La NX25P Series Two peut facilement être utilisé dans n'importe quelle orientation, près des murs, sur le plancher et en disposition circulaire rapprochée dans les installations à multiples enceintes. Un grand soin a été apporté lors de la conception des composantes pour réduire la production de chaleur.

### **Caractéristiques**

- Construction en polypropylène Ultra-durable
- Format d'enceinte à double utilité pour applications pleine bandes ou moniteur de scène
- Reproduction ultra-claire à travers toute la gamme de fréquences
- Module haute technologie léger et à haute efficacité de bi-amplification avec puissance de 600 watts (pointe)
- Entrées combi-jack XLR/1/4-pouce PBM
- Sortie XLR pour faciliter les raccordements « linking » et « looping »
- Entrée direct pour microphone avec contrôle de niveau
- Contrôles d'égalisateur général à deux bandes
- Woofer de 12 pouces avec aimant en céramique
- Driver haute qualité de 1 pouce pour fréquences aigües
- Quincaillerie de suspension intégrée (trous filetés 3/8-pouce)
- Grille robuste de pleine grandeur
- Panneau encastré

### **Interrupteur et DEL d'Alimentation**

L'interrupteur d'alimentation met l'enceinte NX25P Series Two sous et hors tension et la DEL verte s'allume pour indiquer que l'appareil est en marche et que le fusible fonctionne correctement.

### **Entrée Microphone**

L'entrée symétrique XLR pour microphone peut être utilisé avec tous les microphones dynamiques ou ceux à condensateur.



### **Entrée Ligne**

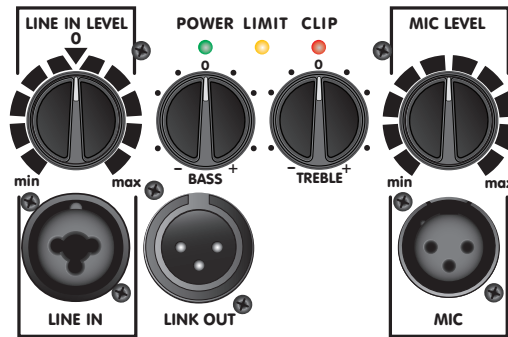
L'entrée symétrique combi-jack XLR/1/4-pouce peut être utilisé avec n'importe quelle source de niveau ligne comme lecteur CD ou instrument électronique avec sortie ligne. Il est toujours recommandé d'utiliser des sources symétriques. Cela aidera à prévenir les risques de bruits et bourdonnements associés aux raccordements asymétriques, en particulier si le câble est long ou si la source est branchée à une alimentation CA séparée. Les entrées « Mic In » et « Line In » dispose chacun

de leurs propres contrôles d'entrée et de niveau, ils peuvent donc être utilisés en même temps.

### Sortie Mix

Cette sortie ligne est prévue pour permettre l'opération avec de multiples enceintes NX25P Series Two, à partir d'une seule source. Elle devrait être raccordé à l'entrée ligne de la prochaine NX25P

Series Two dans l'ensemble. Le contrôle niveau « Line In » sur l'unité suivante dans la chaîne devrait être réglé à 0 dB afin de fournir le même niveau de sortie comme l'enceinte principale. Lorsque vous raccordez plusieurs enceintes NX25P Series Two de la chaîne devrait être éteinte en premier (et allumé en dernier.) Chaque NX25P Series Two devrait être éteinte ou allumé avant la NX25P Series Two précédente dans la chaîne. Cela éliminera les bruits lorsque la NX25P Series Two est allumées ou quand elle est éteinte.



### Contrôle de Gain Pour Microphone

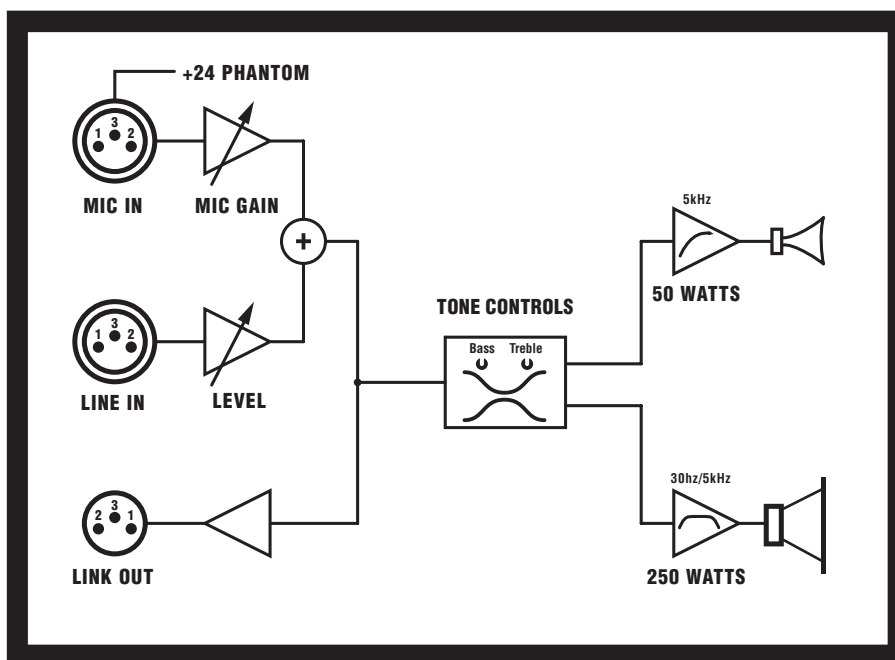
Le contrôle de niveau pour microphone ajuste le niveau du microphone de l'enceinte. Il ajuste aussi le niveau du microphone pour toutes les enceintes NX25P dans une chaîne lors d'opération à multiple NX25P Series Two.

### Contrôles Treble et Bass

Ces contrôles affectent tous les sons provenant de l'enceinte NX25P Series Two. Ils n'affectent toutefois pas le signal présent à la prise de sortie « Mix Out ». Dans un système à multiples enceintes, il sera nécessaire d'ajuster les contrôles Bass, Mid et Treble individuellement sur chaque enceinte.

### DEL Signal / Limit

Ces DEL s'illuminent en jaune quand le signal déclenche le limiteur et en rouge quand le niveau de signal est trop élevé pour l'entrée et produit de l'écrêtage.





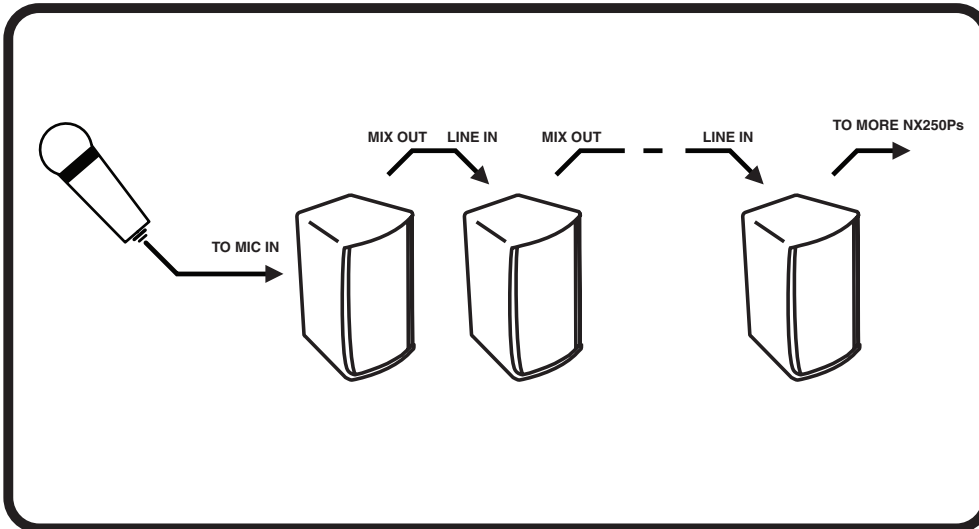
**S E R I E S T W O**

**nx 25<sup>P</sup>** 

**300 WATT POWERED LOUDSPEAKER ENCLOSURE**

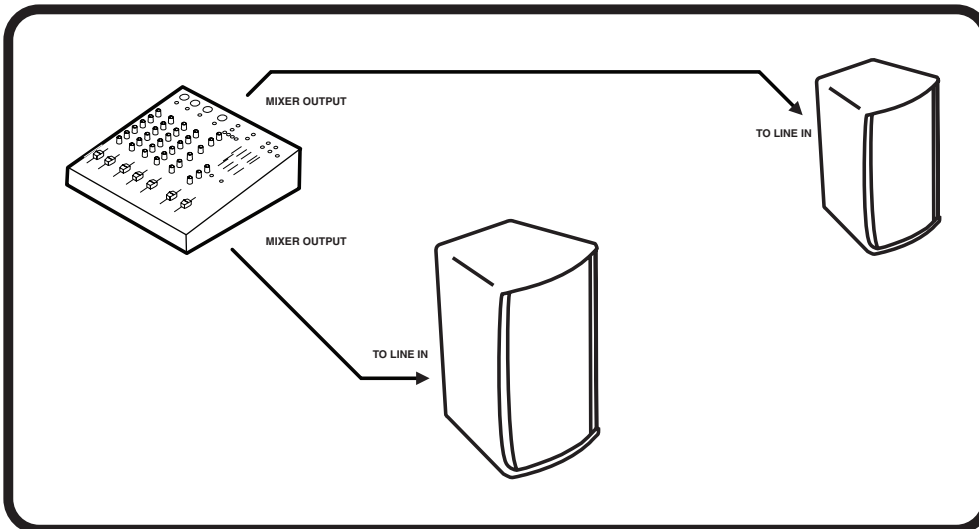
**Spécifications**

Type de système	2-Voies
Active ou Passive	Active
Peak Power (watts)	600
Capacité de Bi-amplification	Auto amplification
Opération en mode de Bi-amplification seulement	Oui
Pression Sonore Maximum (dB)	125
Réponse en Fréquences (Hz +/- 3db)	55 - 26k
Fréquence de coupure (Hz)	4000
Configuration de haut-parleur	12 pouces / 1 pouce
Driver(s) pour aigus	Ouverture de 1 pouce, Aimant en céramique, Pellicule PETP 1.4 pouce
Dispersion pour fréquences aigus(*H x °V)	80 x 50
Driver(s) pour graves	12 pouces Aimant de céramique
Puissance Totale (watts)	300
Amplificateur de puissance pour Aigus (watts)	50
Type d'amplificateur pour les aigus	Classe A/B
Amplificateur de puissance pour les Graves (watts)	250
Type d'amplificateur pour les graves	Deux étages Classe H
Cordon d'alimentation	Oui
Commutateur de mise en marche	Oui
Consommation de puissance (typ/max)	120 / 310 Va
Entrées	2
Entrées - 1/4-pouce Jacks	1 Ligne / 1 Mic (XLR Combi jacks)
Sensibilité d'entrée (Vrms Sinusoïdal)	+4dBv / 1.23V
Contrôles du mixeur	Gain pour microphone Gain Entré Ligne Graves / Aigus
Contrôles de Niveau	Ligne, Microphone
Limiteur	Oui
DEL indicatrices	Alimentation, Limite, Clip
Pieds	Oui
Quincaillerie de suspension	2 (Dessus), 2 (Dessous), 1 (Arrière)
Quincaillerie de suspension Optionnelle	Quincaillerie NX
Poigné	1 (Côté)
Matériaux de construction	Polypropylène moulé par injection
Grille	Métal Perforé
Dimensions (PLH x L arrière, pouces)	12.25 x 16 x 26.5 x 9
Dimensions (PLH x L arrière, cm)	31.12 x 40.6 x 67.3 x 22.9
Poids (livres / kg)	45.9 / 20.8



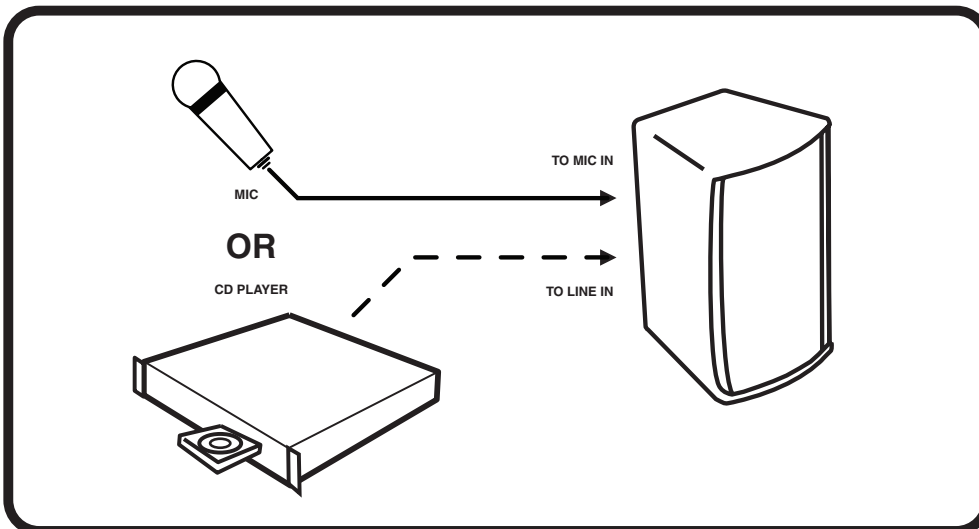
config-01e-nx250-1v0.eps

**MICROPHONE with MULTIPLE NX250Ps**



config-02emx250-1v0.eps

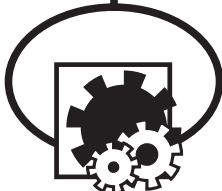
**STEREO P.A., with EXTERNAL MIXER**



config-03e-nx250-1v0.eps

**ONE MIC OR CD PLAYER**

# EYEBOLT INSTALLATION



## 1. DESCRIPTION

Many of the popular models in the Yorkville speaker cabinet line are now equipped with flying hardware for overhead suspension applications. Depending on the model, two or more internal braces have been provided for rigging purposes. Each brace contains two bolt holes and provides center-of-gravity fly-points for use with in-line or angular loads. Many of the models will support additional suspended cabinets according to their specified working load limits.



**IMPORTANT!!**  
 THE RIGGING OF LOUDSPEAKER SYSTEMS IS AN EXTREMELY SERIOUS MATTER. OVERHEAD RIGGING REQUIRES EXTENSIVE EXPERIENCE, INCLUDING (BUT NOT LIMITED TO) CALCULATING WORKING LOAD LIMITS, HARDWARE INSTALLATION, AND PERIODIC SAFETY INSPECTION OF ALL HARDWARE AND CABINETRY. IF YOU LACK THESE QUALIFICATIONS, DO NOT ATTEMPT THE INSTALLATION YOURSELF, BUT INSTEAD USE A PROFESSIONAL STRUCTURAL RIGGER. IMPROPER INSTALLATION CAN RESULT IN BODILY INJURY OR DEATH. CONSULT A STRUCTURAL ENGINEER TO CALCULATE ADDED LOADS FOR A BUILDING. STRUCTURAL REINFORCEMENT MAY BE NECESSARY TO INSURE A SAFE INSTALLATION.

## 2. REQUIRED TOOLS

- 1/4-20 Hex Wrench
- Thread lock adhesive (Removable Type)

## 3. EYEBOLT INSTALLATION

a) Using a 1/4-20 hex wrench, remove the flat head bolts from the top or bottom of the speaker enclosure to expose the tapped holes (on TX models, the flat head bolts are located within the track rails), as shown below. Be sure to keep these handy as they will be needed to seal the cabinet after the eyebolts are removed.



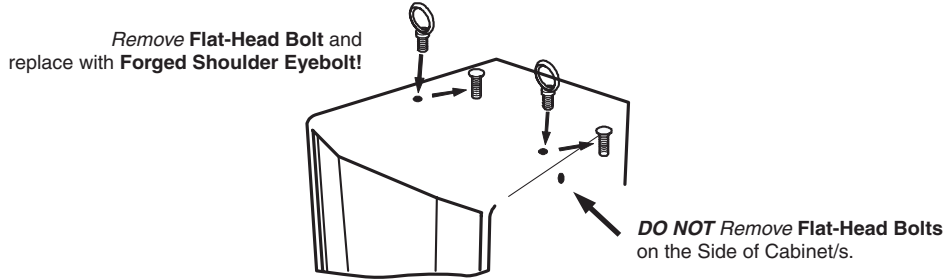
**IMPORTANT!!**  
 USE ONLY LOAD RATED FORGED EYEBOLTS. THESE MAY BE PURCHASED THROUGH YORKVILLE SOUND OR ATM FLY-WARE™. TO INSURE CABINET-BRACING STRENGTH, MAKE SURE ALL FLY-POINTS ARE SECURED WITH EITHER AN EYEBOLT OR FLAT HEAD HEX BOLT.

b) Place a drop of thread-lock adhesive on the threads of the eyebolt and insert one into exposed hole. Tighten each eyebolt by hand until its fits snugly against the cabinet. Further tighten each eyebolt by rotating it another half turn. Be sure to insert eyebolts in the threaded hole directly in-line with the suspension cable. Always follow the eyebolt manufacturers installation and use instructions.

c) Suspend each cabinet according to working load calculations and practices recommended by the rigging hardware manufacturer.



**IMPORTANT!!**  
 ON MODELS WITH ONLY TWO TOP SUSPENSION POINTS THE SUPPLIED PULL BACK AT THE REAR OF THE BOTTOM CENTER PANEL OF THE CABINET IS NOT TO BE USED AS A SUSPENSION POINT. THIS POINT TO BE USED FOR PULL BACK PURPOSES ONLY.



## 4. WORKING LOAD LIMITS

Specified working load limits have been determined for the enclosure as follows:

<b>NX25P</b>	4 fly points - 2 top + 2 bottom + pull back	1/4-inch weight of cabinet only
--------------	---	---------------------------------



**IMPORTANT!!**  
 READ ALL ENCLOSED INSTRUCTIONS ABOUT PROPER USE OF HARDWARE. TO INSURE PROPER INSTALLATION, FOR TECHNICAL INFORMATION ON SUSPENSION TECHNIQUES AND EXTERIOR ACCESSORY INFORMATION WE SUGGEST CALLING ATM FLY-WARES TECHNICAL SERVICES IN THE UNITED STATES AT (310)639-8282 MONDAY THROUGH FRIDAY FROM 9 AM TO 6 PM (PST) OR FAX AT (310)639-8284. YORKVILLE SOUND MAKES NO CLAIMS AS TO THE SAFETY OF THE ENCLOSURES IF RECOMMENDED LOAD LIMITS AND HARDWARE ARE NOT STRICTLY ADHERED TO. NOR DOES IT MAKE ANY SAFETY CLAIMS TO THE RESULTANT INSTALLATION.



**IMPORTANT!!**  
 TRACK RAILINGS: UNITS THAT INCORPORATE THE TRACK RAILING SYSTEM HAVE THE SAME WORKING LOAD LIMITS AS THEY DO WHEN THEY ARE USED WITH EYEBOLTS. THESE RATINGS MAY BE LIMITED AND BASED ON THE RATINGS OF THE TRACK FITTINGS THEMSELVES. PLEASE ENSURE THAT THE RATING OF THE CERTIFIED TRACK FITTINGS EXCEEDS NECESSARY WORKING LOAD LIMITS.

# EYEBOLT INSTALLATION

## 1. DESCRIPTION

Plusieurs des modèles populaires de la ligne d'enceinte à haut-parleur Yorkville sont maintenant équipés de quincaillerie de montage pour les applications requérant une suspension aérienne. Dépendamment du modèle, deux ou plusieurs attaches internes sont prévues pour de tels montages. Chaque attache contient deux trous de boulon et offre des points de montage centre de gravité pour utilisation avec charges droites ou anguleuses. Plusieurs des modèles permettent la suspension de cabinets additionnels selon leur limite de charge de travail spécifique.



**IMPORTANT!!** LE MONTAGE DE SYSTÈME DE HAUT-PARLEUR EST UNE AFFAIRE TRÈS SÉRIEUSE. LES MONTAGES IMPLIQUANT UNE SUSPENSION AÉRIENNE NÉCESSITENT UNE CONNAISSANCE APPROFONDIE, INCLUANT (MAIS NON-LIMITÉE) AU CALCUL DES LIMITES DE CHARGE DE TRAVAIL, LA QUINCAILLERIE D'INSTALLATION, ET INSPECTIONS PÉRIODIQUES DE SÉCURITÉ DE TOUTE LA QUINCAILLERIE ET DE L'ÉBÉNISTERIE. SI VOUS N'AVEZ PAS CES QUALIFICATIONS, NE TENTEZ PAS DE FAIRE VOUS-MÊME L'INSTALLATION, AYEZ PLUTÔT RECOURS À UN PROFESSIONNEL DU DOMAINE. UNE INSTALLATION INADÉQUATE PEUT CAUSER DES BLESSURES CORPORELLES OU MÊME LA MORT. CONSULTEZ UN INGÉNIEUR EN STRUCTURE POUR CALCULER LA CHARGES ADDITIONNELLE AJOUTÉE AU BÂTIMENT. UN RENFORCEMENT DE LA STRUCTURE DU BÂTIMENT POURRAIT ÊTRE NÉCESSAIRE POUR ASSURER UNE INSTALLATION SÛRE.

## 2. OUTILS REQUIS

Clé Hex 1/4-20

Adhésif de verrouillage pour filetage (Type amovible)

## 3. INSTALLATION DES BOULONS À OEIL

a) À l'aide d'une Clé Hex 1/4-20, enlevez le boulon à tête plate du dessus ou du dessous de l'enceinte à haut-parleur pour découvrir les trous filetés (sur les modèles TX, les boulons à tête plate sont situés à l'intérieur des quincailleries de montage intégré), tel qu'indiqué ci-dessous.

Assurez-vous de ne pas perdre ces boulons à tête plate. Vous devrez les ré-utiliser pour fermer hermétiquement le cabinet quand les boulons œil seront enlevés.



**IMPORTANT!!** N'UTILISEZ QUE DES BOULONS À OEIL CLASSIFIÉ POUR LES CHARGES REQUISES. VOUS POUVEZ VOUS LES PROCURER DE YORKVILLE SOUND OU ATM FLYWARE™. POUR PRÉSERVER UNE FORCE MAXIMALE DE L'ENTRETOISEMENT DU CABINET, ASSUREZ-VOUS QUE TOUTS LES POINTS DE SUSPENSION SONT FIXÉS SOLIDEMENT AVEC SOIT UN BOULON À OEIL, SOIT UN BOULON HEX À TÊTE PLATE

b) Placez une goutte d'adhésif de verrouillage sur le filetage du boulon à œil et placez-en une dans le trou exposé. Resserrez chaque boulon à œil à la main jusqu'à ce qu'ils soient bien serrés contre l'enceinte. Serrez encore chaque boulon à œil en les tournant un autre demi-tour.

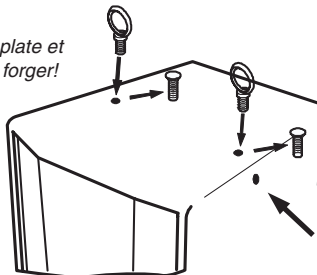
Assurez-vous d'insérer les boulons à œil dans les trous filetés directement en ligne avec le câble de suspension. Toujours suivre les instructions d'installation et d'utilisation du fabricant des boulons à œil.

c) Suspendez chaque enceinte selon le calcul de charge de travail et les pratiques recommandées par le fabricant de la quincaillerie de montage.



**IMPORTANT!!** LES MODÈLES ÉQUIPÉS DE SEULEMENT DEUX POINT DE SUSPENSION SUR LE DESSUS, SONT DOTÉ D'UN POINT DE TIRE À L'ARRIÈRE SUR LE PANNEAU CENTRAL DU BAS. CE POINT DE TIRE NE DOIT PAS ÊTRE UTILISÉ COMME POINT DE SUSPENSION. CE POINT DE TIRE NE DOIT SEULEMENT ÊTRE UTILISÉ QUE POUR TIRER L'ENCEINTE VERS L'ARRIÈRE..

Enlevez le Boulon à tête plate et  
Remplacez-le avec un boulon à œil forger!



N'enlevez pas les boulons à tête  
plate sur le côté de l'enceinte/s

## 4. LIMITES DE CHARGE DE TRAVAIL

Les limites de charge spécifiées ont été déterminées pour chaque enceinte comme suit:

NX25P	4 fly points - 2 top + 2 bottom + pull back	1/4-inch weight of cabinet only
-------	---	---------------------------------



**IMPORTANT!!** LIRE TOUTE LA DOCUMENTATION INCLUSE AU SUJET DE L'UTILISATION APPROPRIÉ DE LA QUINCAILLERIE. POUR ASSURER UNE BONNE INSTALLATION, POUR OBTENIR DE L'INFORMATION TECHNIQUE SUR LES DIVERSES TECHNIQUES DE SUSPENSION ET POUR OBTENIR DE L'INFORMATION SUR LES ACCESSOIRES EXTÉRIEURS NOUS VOUS SUGGÉRONS D'APPELER LE SERVICE TECHNIQUE DE ATM FLY-WARE AUX ETATS-UNIS AU (310)639-8282 DU LUNDI AU VENDREDI DE 9 AM À 6 PM (HSP) OU PAR FAX AU (310)639-8284. YORKVILLE SOUND NE GARANTIE PAS UNE UTILISATION SÉCURITAIRE DES ENCEINTES SI LES LIMITES DE CHARGE RECOMMANDÉES NE SONT PAS RESPECTÉES ET SI VOUS N'ADHÉREZ PAS STRICTEMENT À LA LISTE DE QUINCAILLERIE RECOMMANDÉE.



**IMPORTANT!!** RAILS DE MONTAGE (TRACK RAILINGS): LES ENCEINTES INCORPORANT LE SYSTÈME DE RAIL DE MONTAGE ONT LES MÊMES LIMITES DE CHARGE DE TRAVAIL QU'ILS SOIENT SUSPENDUS AVEC LE SYSTÈME DE RAIL OU AVEC LES BOULONS À OEIL. CES VALEURS ASSIGNÉES DE LIMITE DE CHARGE PEUVENT ÊTRE LIMITÉES ET BASÉES SUR LA VALEUR DE LIMITE DE CHARGE ASSIGNÉE AUX APPAREILLAGES DE RAIL (TRACK FITTINGS) ELLE-MÊMES. ASSUREZ-VOUS S.V.P. QUE LA VALEUR ASSIGNÉE DE LIMITE CHARGE DE TRAVAIL SUR LES APPAREILLAGES CERTIFIÉS DE RAIL (TRACK FITTINGS) EXÈDE LES LIMITES NÉCESSAIRES DE CHARGE DE TRAVAIL.



# Two & Ten Year Warranty

### Unlimited Warranty

Yorkville's two and ten-year unlimited warranty on this product is transferable and does not require registration with Yorkville Sound or your dealer. If this product should fail for any reason within two years of the original purchase date (ten years for the wooden enclosure), simply return it to your Yorkville dealer with original proof of purchase and it will be repaired free of charge. This includes all Yorkville products, except for the YSM Series studio monitors, Coliseum Mini Series and TX Series Loudspeakers.

Freight charges, consequential damages, weather damage, damage as a result of improper installation, damages due to exposure to extreme humidity, accident or natural disaster are excluded under the terms of this warranty. Warranty does not cover consumables such as vacuum tubes or par bulbs. See your Yorkville dealer for more details. Warranty valid only in Canada and the United States.

### Garantie Illimitée

La garantie illimitée de deux et dix ans de ce produit est transférable. Il n'est pas nécessaire de faire enregistrer votre nom auprès de Yorkville Sound ou de votre détaillant. Si, pour une raison quelconque, ce produit devient défectueux durant les deux années qui suivent la date d'achat initial (dix ans pour l'ébénisterie), retournez-le simplement à votre détaillant Yorkville avec la preuve d'achat original et il sera réparé gratuitement. Ceci inclus tous les produits Yorkville à l'exception de la série de moniteurs de studio YSM, la mini série Coliseum et de la série TX.

Les frais de port et de manutention ainsi que les dommages indirects ou dommages causés par désastres naturels, extrême humidité ou mauvaise installation ne sont pas couverts par cette garantie. Cette garantie ne couvre pas les produits consommables tels que lampe d'amplificateur ou ampoules "PAR". Voir votre détaillant Yorkville pour plus de détails. Cette garantie n'est valide qu'au Canada et aux États Unis d'Amérique.

**REAL Gear.**  
**REAL People.**



**Canada U.S.A.**

Voice: (905) 837-8481 Voice: (716) 297-2920  
Fax: (905) 837-8746 Fax: (716) 297-3689

**w w w . y o r k v i l l e . c o m**

Yorkville Sound Yorkville Sound Inc.  
550 Granite Court 4625 Witmer Industrial Estate  
Pickering, Ontario Niagara Falls, New York  
L1W-3Y8 CANADA 14305 USA



**WEB:** [www.yorkville.com](http://www.yorkville.com)

**WORLD HEADQUARTERS  
CANADA**

**Yorkville Sound**  
550 Granite Court  
Pickering, Ontario  
L1W-3Y8 CANADA

Voice: (905) 837-8481  
Fax: (905) 837-8746

**U.S.A.**

**Yorkville Sound Inc.**  
4625 Witmer Industrial Estate  
Niagara Falls, New York  
14305 USA

Voice: (716) 297-2920  
Fax: (716) 297-3689



**Quality and Innovation Since 1963**

Printed in Canada

Manual-Owners-nx25p-2-00-1v6 • November 25, 2014