



PARALINE SERIES

PSA26 / PSA28

PSA15S / PSA18S

PRERELEASE

Rigging Manual **Manuel de Montage**

Table of Contents

Table of Contents.....	i
Rigging Chart - English	i
Rigging Chart - Français	i
Introduction.....	1
Setup A: Top Boxes on Subwoofer.....	1
Setup B: Top Boxes on Pole with Subwoofer	3
Setup C: Top Boxes on Speaker Stand	6
Setup D: Top Boxes on Bumper.....	8
Setup E: Flown Tops With Bumper.....	10
Rear Page	16

Rigging Chart - English

Setup	PSA28	PSA26	PSA18S	PSA15S	Accessories Required	Limits
A1: Top Boxes on Subwoofer	☑	☒	☑	☒	None	4x Tops per Sub
A2: Top Boxes on Subwoofer	☒	☑	☒	☑	None	4x Tops per Sub
B1: Top Boxes on Pole with Subwoofer Base	☑	☒	☑	☒	SW-TUBEHD	2x Tops per Sub
B2: Top Boxes on Pole with Subwoofer Base	☒	☑	☒	☑	SW-TUBEHD	2x Tops per Sub
C1: Top Boxes on Speaker Stand	☑	☒	☒	☒	SKS-50T	2x Tops per Stand
C2: Top Boxes on Speaker Stand	☒	☑	☒	☒	SKS-50T or SKS-09B	2x Tops per Stand
D1: Top Boxes on Bumper (Ground)	☑	☒	☒	☒	PSA28BUMPER	4x Tops per Bumper
D2: Top Boxes on Bumper (Ground)	☒	☑	☒	☒	PSA26BUMPER	4x Tops per Bumper
E1: Flown Tops with Bumper	☑	☒	☒	☒	PSA28BUMPER	12x Tops per Bumper
E2: Flown Tops with Bumper	☒	☑	☒	☒	PSA26BUMPER	14x Tops per Bumper
F1: Tops on Dolly	☑	☒	☒	☒	PSA28DOLLY	4x Tops per Dolly
F2: Tops on Dolly	☒	☑	☒	☒	PSA26DOLLY	4x Tops per Dolly

Rigging Chart - Français

Installation	PSA28	PSA26	PSA18S	PSA15S	Accessoires requis	Limites
A1 : Boîtiers supérieurs sur caisson de basses	☑	☒	☑	☒	Aucun	4x Tops par abonnement
A2 : Boîtiers supérieurs sur caisson de basses	☒	☑	☒	☑	Aucun	4x Tops par abonnement
B1 : Boîtiers supérieurs sur poteau avec base de caisson de basses	☑	☒	☑	☒	SW-TUBEHD	2x Tops par abonnement
B2 : Boîtiers supérieurs sur poteau avec base de caisson de basses	☒	☑	☒	☑	SW-TUBEHD	2x Tops par abonnement
C1 : Boîtiers supérieurs sur pied d'enceinte	☑	☒	☒	☒	SKS-50T	2x Tops par support
C2 : Boîtiers supérieurs sur pied d'enceinte	☒	☑	☒	☒	SKS-50T ou SKS-09B	2x Tops par support
D1 : Coffres supérieurs sur pare-chocs (sol)	☑	☒	☒	☒	PARE-CHOCS PSA28	4x hauts par pare-chocs
D2 : Coffres supérieurs sur pare-chocs (sol)	☒	☑	☒	☒	PARE-CHOCS PSA26	4x hauts par pare-chocs
E1 : Hauts volants avec pare-chocs	☑	☒	☒	☒	PSA28BUMPER	12x Tops par pare-chocs
E2 : Hauts volants avec pare-chocs	☒	☑	☒	☒	PSA26BUMPER	14x Tops par pare-chocs
F1 : Hauts sur Dolly	☑	☒	☒	☒	PSA28DOLLY	4x Tops par Dolly
F2 : Hauts sur Dolly	☒	☑	☒	☒	PSA26DOLLY	4x Tops par Dolly

Introduction

Thank you for choosing a Yorkville Paraline PA system.

This manual explains how to safely and securely connect multiple cabinets with the integrated rigging hardware and optional accessories.

To connect cabinets, the top boxes feature three integrated quick pins with an integrated locking mechanism. Press the button on the end of the pin to remove or insert it, and release the button to engage the locking mechanism and secure the pin in place.

Links on the speaker cabinets and bumper are colour-coded and labeled by angle so you can easily set the desired position of each element. Use the green-shaded holes for connecting cabinets to other cabinets, and the blue-shaded holes for connecting a bumper in ground stack and flown configurations.

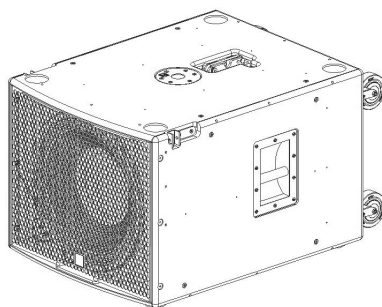
To dismantle any array, reverse the steps below.

We recommend only using the specific accessories mentioned in this document. The PSABUMPER and PSADOLLY accessories have variants for the PSA26 and PSA28 top boxes. You must use only the bumper and dolly corresponding to your top box.

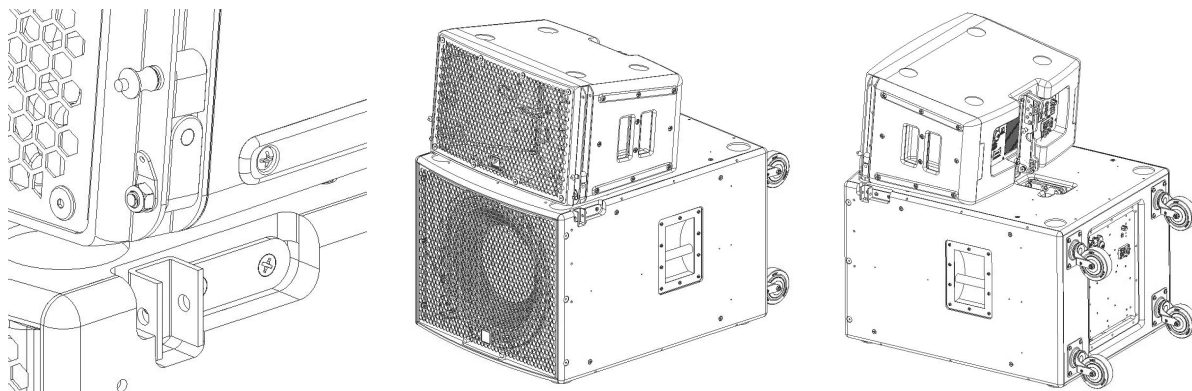
Please take careful note of the maximum number of top boxes that can be stacked in each configuration.

Setup A: Top Boxes on Subwoofer

1. Place the subwoofer in position on a flat, stable surface.

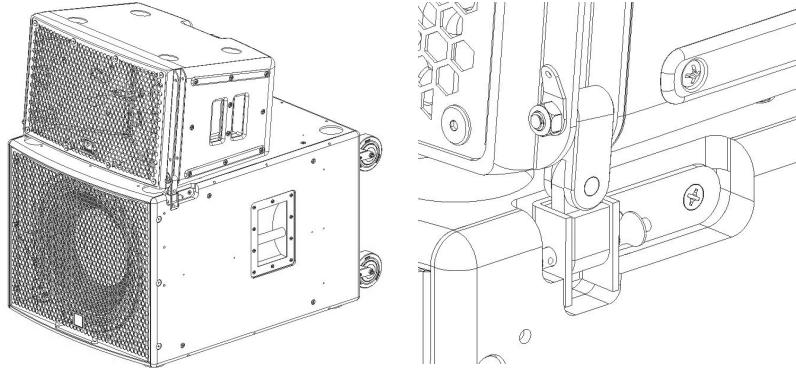


2. Place the first top box directly on top of the subwoofer.

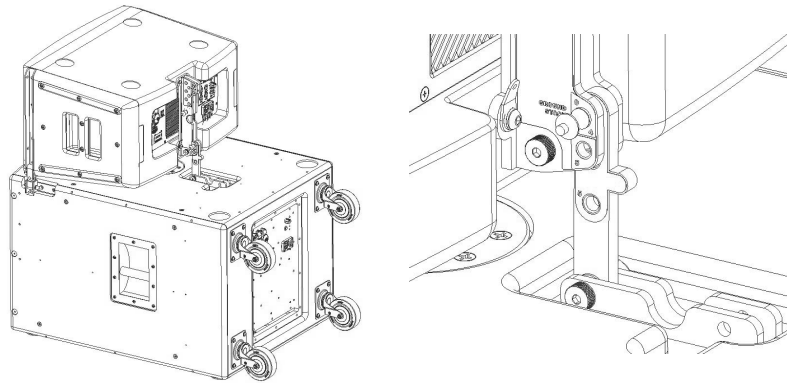


3. Remove the front quick pins from the top box.
4. Line up the two front links on the top box with the brackets on the subwoofer.

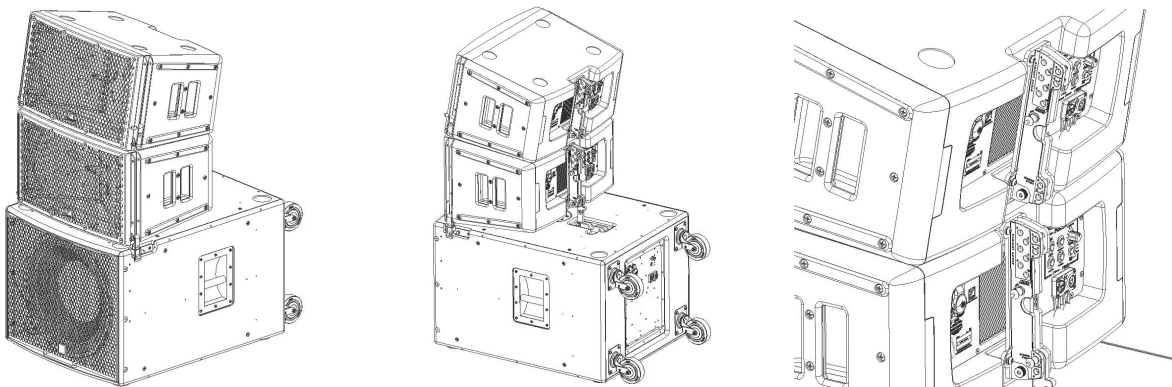
-
5. Insert the quick pins from step 3 into the brackets on the subwoofer and lock them in place.



6. Raise the rear link on top of the subwoofer and adjust the desired tilt angle.

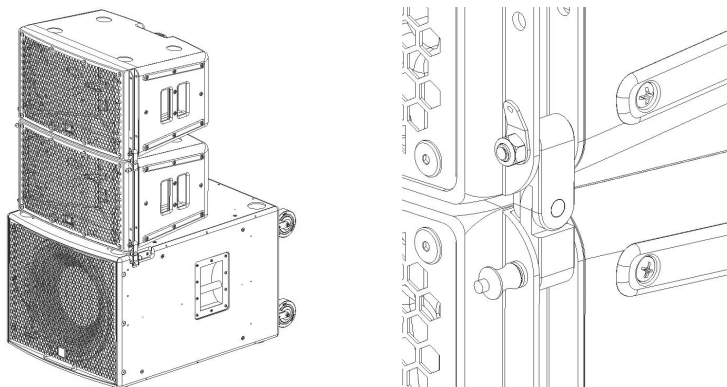


7. To add another top box, align the feet on the bottom of the new cabinet with the corresponding indentations on the top of the previously added cabinet.

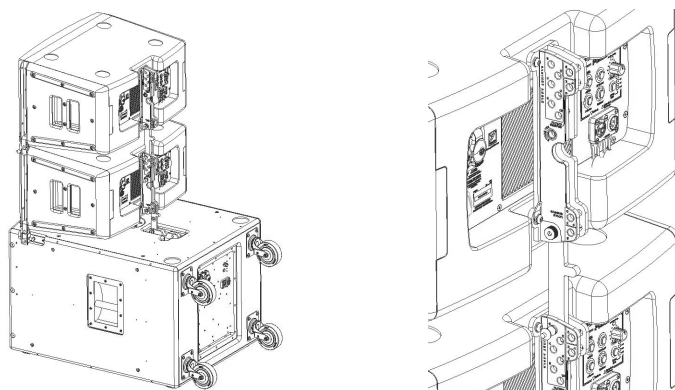


8. Remove the front quick pins from the upper cabinet.
9. Line up the two front links on the upper cabinet with the brackets on the lower cabinet.

10. Insert the quick pins from step 8 into the brackets and lock them in place.



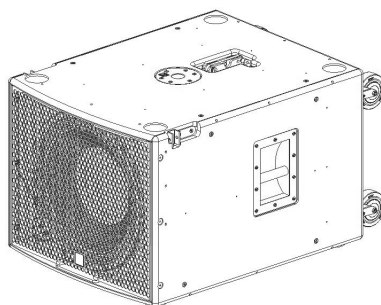
- 11. Remove the rear quick pin from the upper cabinet.
- 12. Adjust the desired tilt angle at the rear link.
- 13. Insert the quick pin from step 11 into the rear link and lock it in place.



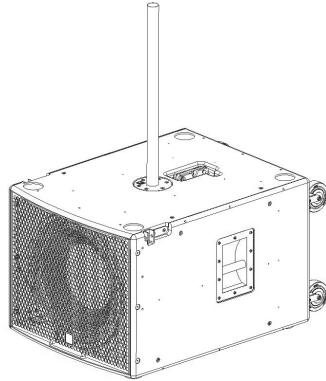
- 14. Repeat steps 7 - 11 to add additional top boxes.
Please note that a maximum of four top boxes can be stacked directly on a subwoofer.

Setup B: Top Boxes on Pole with Subwoofer

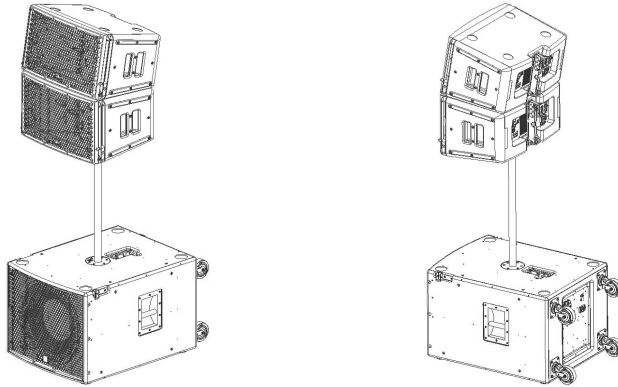
- 1. Place the subwoofer in position on a flat, stable surface.



-
2. Place the SW-TUBEHD speaker pole in the stand adapter on top of the subwoofer.

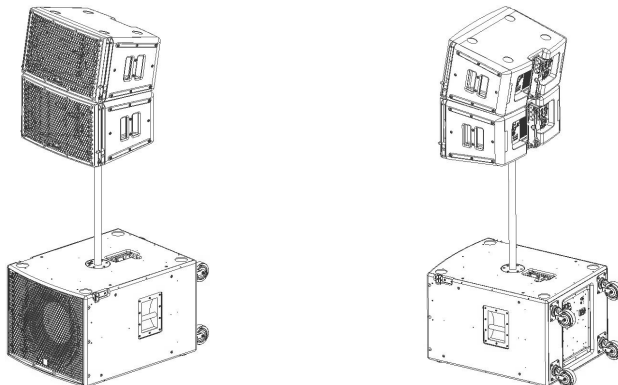


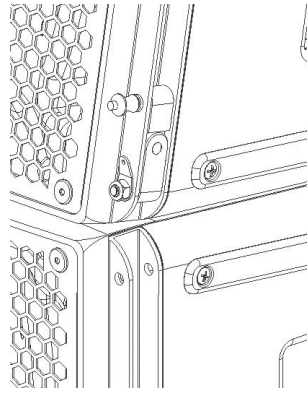
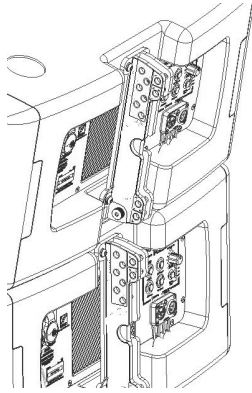
3. Place the first top box on the speaker pole. Note that the top box features a dual-angle stand adapter. Place the pole in the socket corresponding to the desired tilt angle.



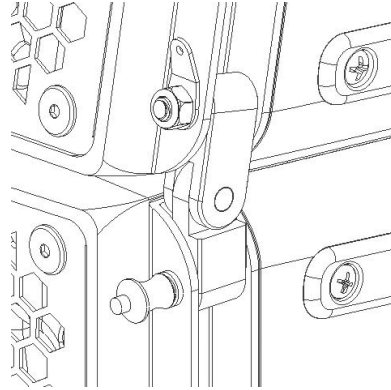
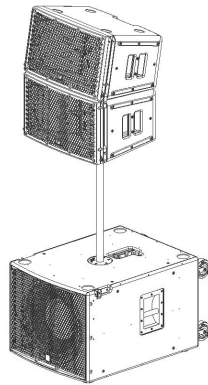
4. To add another top box, align the feet on the bottom of the new cabinet with the corresponding indentations on the top of the previously added cabinet.

Please note that a maximum of two top boxes can be stacked on a speaker pole.

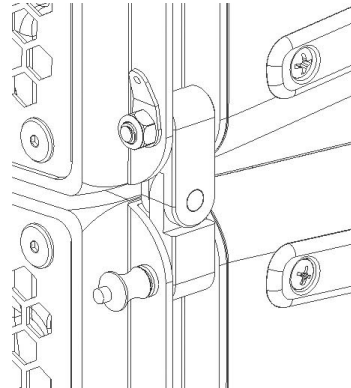
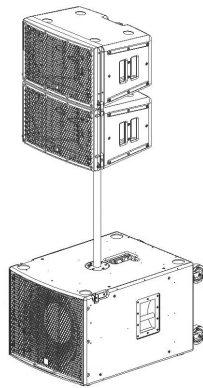


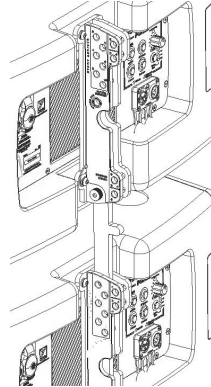
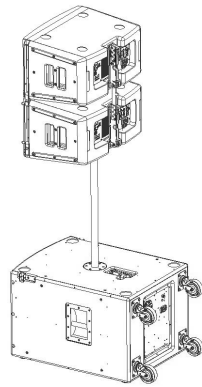


5. Remove the front quick pins from the upper cabinet.
6. Line up the two front links on the upper cabinet with the brackets on the lower cabinet.
7. Insert the quick pins from step 5 into the brackets and lock them in place.



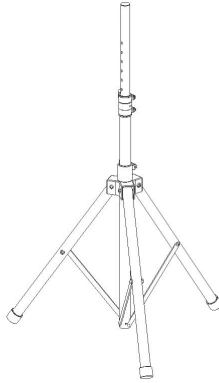
8. Remove the rear pin quick pin from the upper cabinet.
9. Adjust the desired tilt angle at the rear link.
10. Insert the quick pin from step 8 into the rear link and lock it in place.



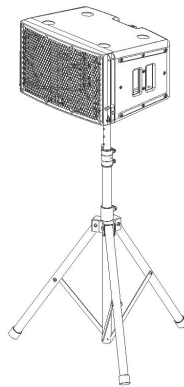


Setup C: Top Boxes on Speaker Stand

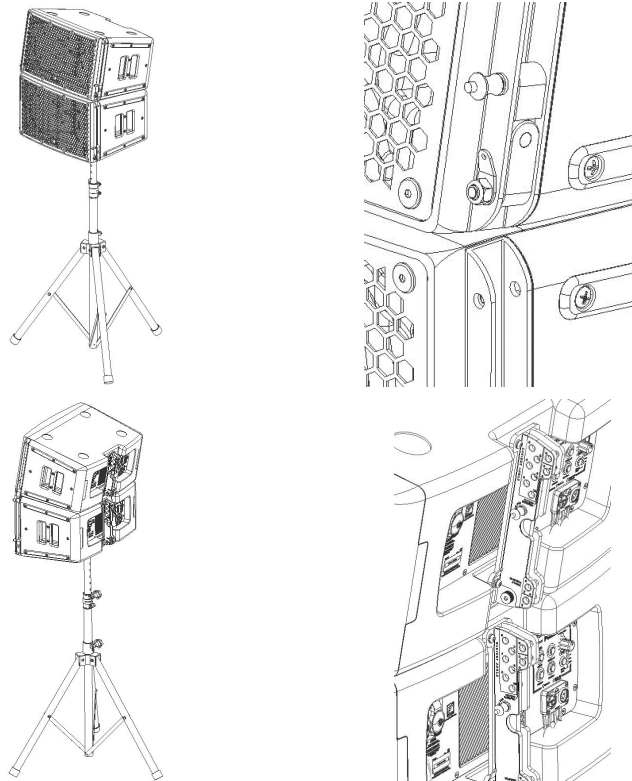
1. Place the speaker stand in position on a flat, stable surface. The Yorkville SKS-50T stand can be used with either the PSA26 or PSA28, and the SKS-09B stand can be used with the PSA26.



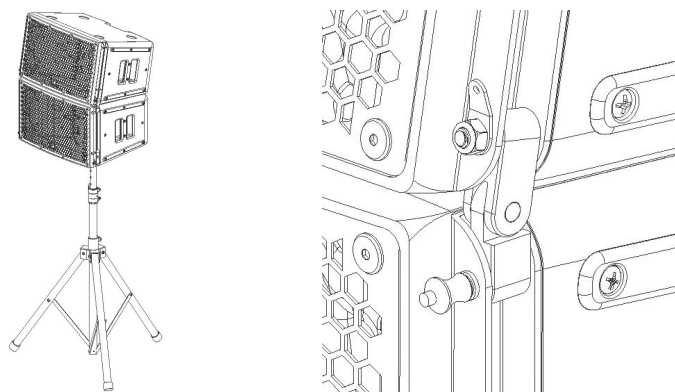
2. Place the first top box on top of the speaker stand. Note that the top box features a dual-angle stand adapter. Place the speaker stand in the socket corresponding to the desired tilt angle.



-
-
- To add another top box, align the feet on the bottom of the new cabinet with the corresponding indentations on the top of the previously added cabinet. **Please note that a maximum of two top boxes can be stacked on a speaker stand.**

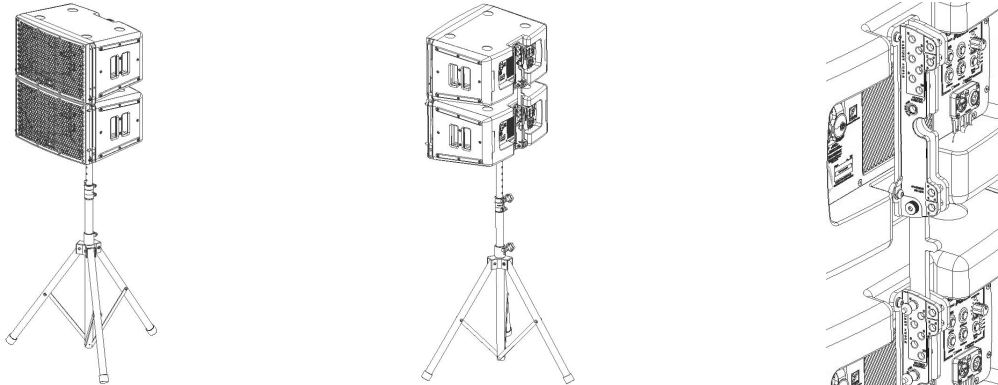


- Remove the front quick pins from the upper cabinet.
- Line up the two front links on the upper cabinet with the brackets on the lower cabinet.
- Insert the quick pins from step 4 into the brackets and lock them in place.



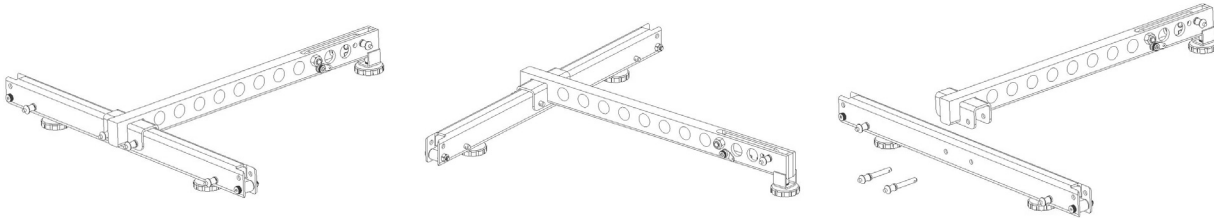
- Remove the rear quick pin from the top box.
- Adjust the desired tilt angle at the rear link.

-
9. Insert the quick pin from step 7 into the rear link and lock it in place.

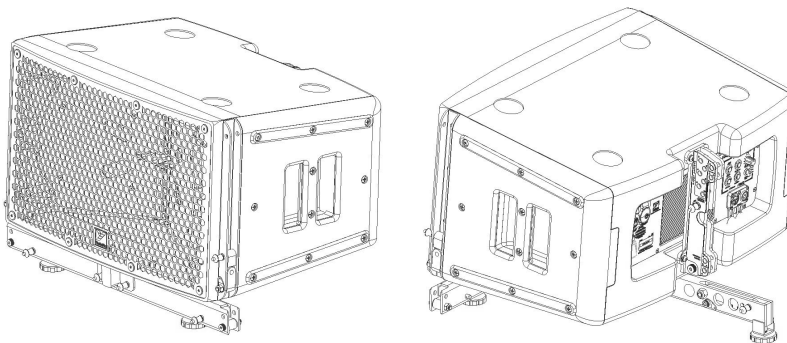


Setup D: Top Boxes on Bumper

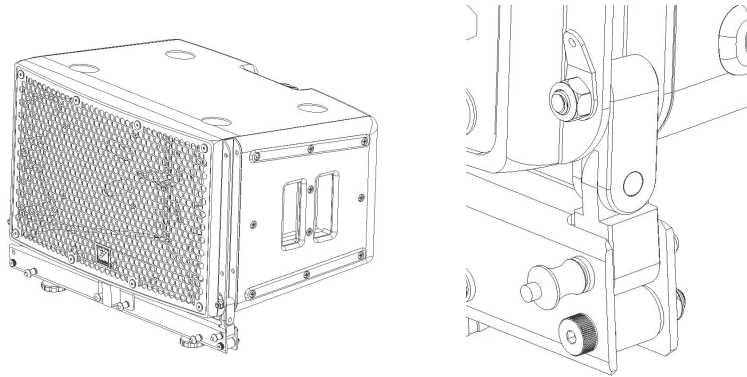
1. Configure the PSABUMPER for ground stacking.



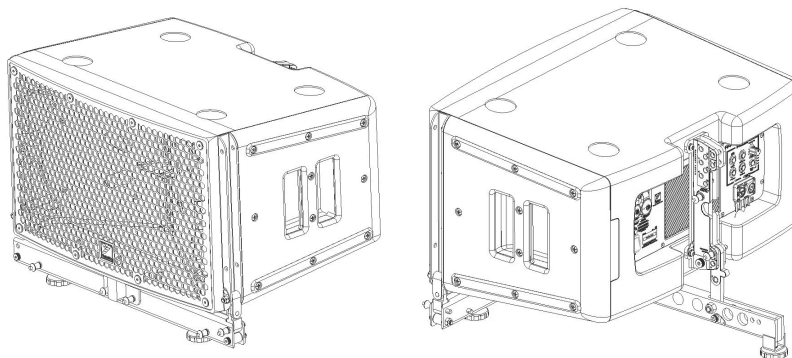
2. Place the bumper in position on a flat, stable surface.
3. Adjust the three leveling feet on the PSABUMPER to ensure a level surface.
4. Place the first top box directly on the PSABUMPER.



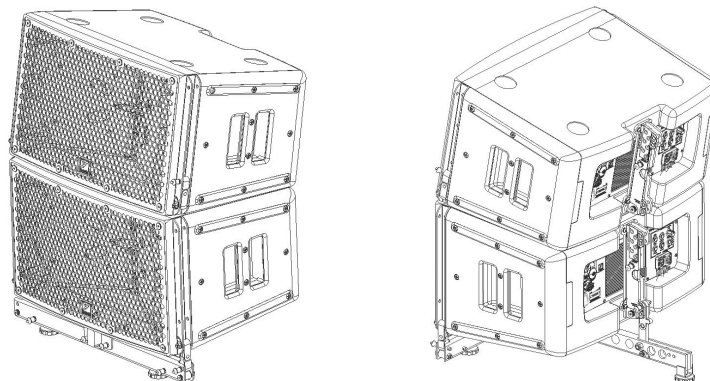
5. Remove the front quick pins from the top box.
6. Line up the two front links on the top box with the brackets on the PSABUMPER.
7. Insert the quick pins from step 5 into the brackets and lock them in place.



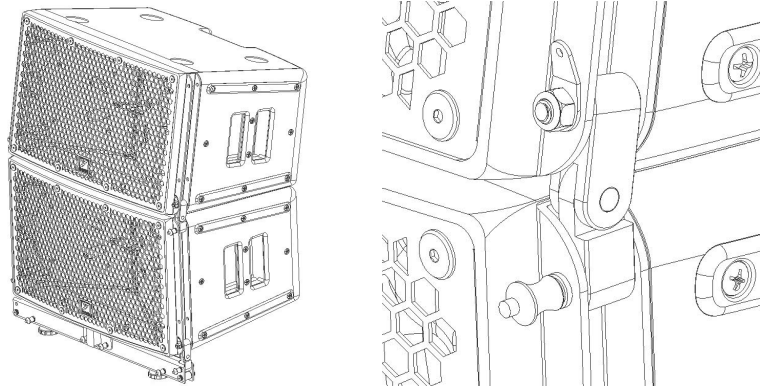
8. Remove the rear quick pin from the bumper
9. Adjust the desired tilt angle at the rear link of the PSABUMPER.
10. Insert the quick pin from step 8 into the rear link and lock it in place.



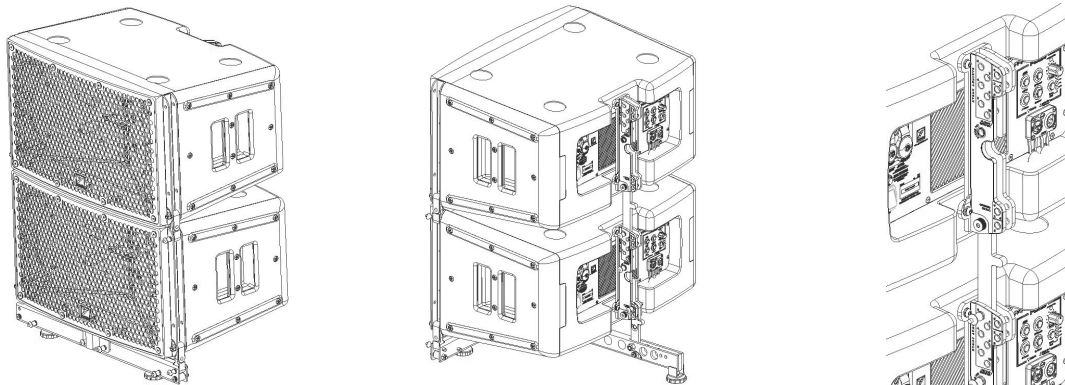
11. To add another top box, align the feet on the bottom of the new cabinet with the corresponding indentations on the top of the previously added cabinet.



12. Remove the front quick pins from the upper cabinet.
13. Line up the two front links on the upper cabinet with the brackets on the lower cabinet.
14. Insert the quick pins from step 12 into the brackets and lock them in place.



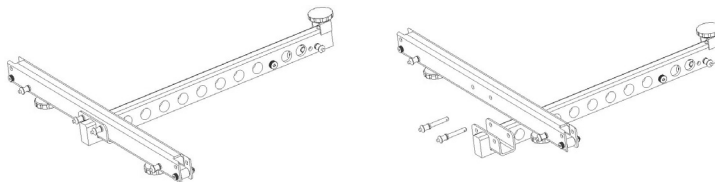
15. Remove the rear quick pin from the upper cabinet.
16. Adjust the desired tilt angle at the rear link.
17. Insert the quick pin from step 15 into the rear link and lock it in place.



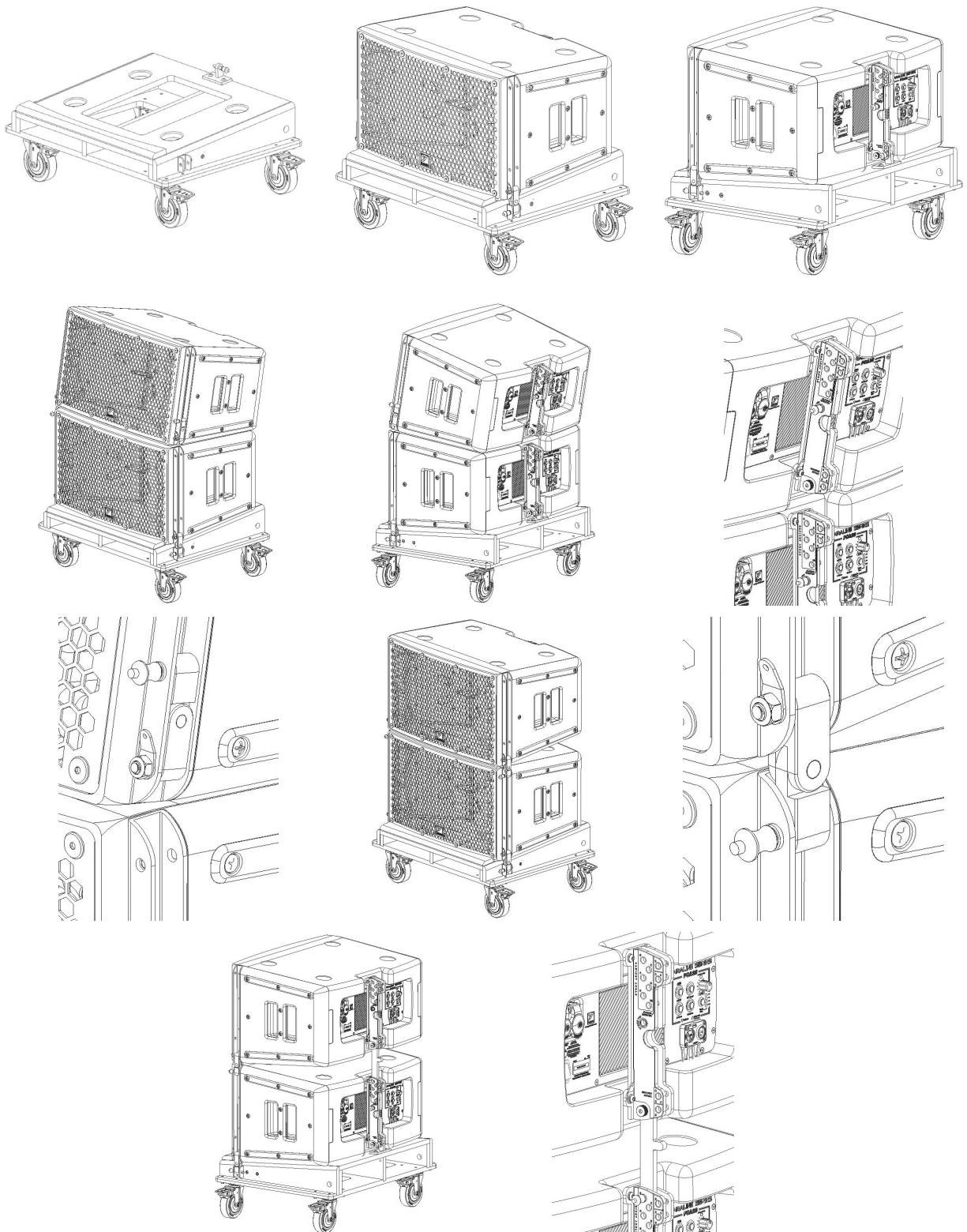
18. Repeat steps 11 - 17 to add additional top boxes.
Please note that a maximum of four top boxes can be stacked directly on a PSABUMPER.

Setup E: Flown Tops With Bumper

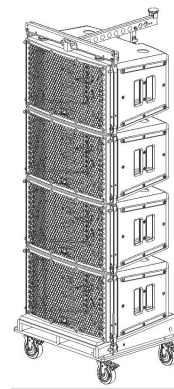
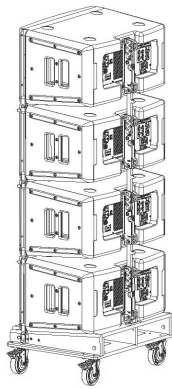
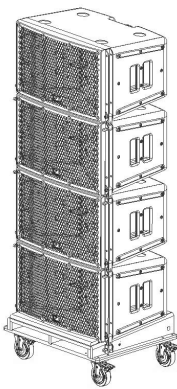
1. Configure the PSABUMPER for flying.



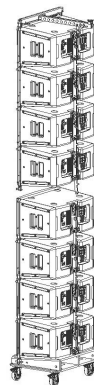
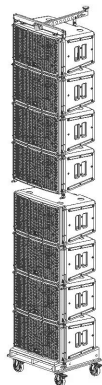
2. Connect up to four top boxes on the PSADOLLY. Please refer to the steps in any other setup to connect top boxes together. *Please note that a maximum of four top boxes can be placed on a PSADOLLY.*



3. Place the bumper on top of the stacked top boxes.
4. Remove the leftmost and rightmost quick pins from the front of the bumper.
5. Line up the two front links on the bumper with the brackets on the topmost cabinet.
6. Insert the quick pins from step 4 into the brackets and lock them in place.
7. Remove the rear quick pin from the bumper.
8. Adjust the desired tilt angle at the rear link.
9. Insert the quick pin from step 7 into the rear link and lock it in place.
10. Roll the dolly into place below the hoist.
11. Connect the bumper to the hoist at the correct pickup hole(s). To determine the correct pickup holes, please see the EASE Focus 3 aiming software.
12. Raise the array and remove the lowest cabinet from the dolly.
13. Adjust the rear links and insert quick pins to achieve the desired array curvature.

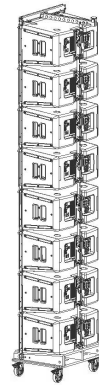
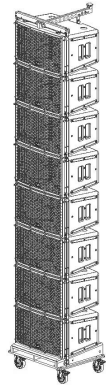


14. To add additional cabinets, bring in the next group of up to four connected top boxes on a dolly and position them below the hung array.

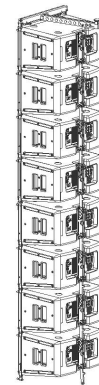
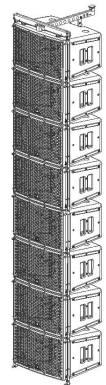


15. Remove the front quick pins from the lowest hung cabinet.
16. Lower the hoist until the front links on the lowest hung cabinet align with those on the top cabinet on the dolly.
17. Insert the quick pins from step 15 into the brackets and lock them into place.
18. Remove the rear quick pin from the lowest hung cabinet.
19. Adjust the desired tilt angle at the rear link.

20. Insert the quick pin from step 18 and lock it in place.



21. Raise the array and remove the lowest cabinet from the dolly.



22. Adjust the rear links and insert quick pins to achieve the desired array curvature.

23. Repeat steps 14-22 to add additional top boxes.

Please note that a maximum of twelve top boxes can be hung from a PSABUMPER.

Malheureusement le livre d`instruction en français n`est pas tout à fait au point. Il sera disponible sous peu. Une fois prêt il vous sera possible de le télécharger directement de notre site Web: www.yorkville.com ou écrivez-nous à orders@yorkville.com et il nous fera plaisir de vous l`envoyer soit par la poste ou par courriel.

REAL Gear.
REAL People.



Canada

Voice: (905) 837-8481
Fax: (905) 837-8746

U.S.A.

Voice: (716) 297-2920
Fax: (716) 297-3689

www.yorkville.com

Yorkville Sound
550 Granite Court
Pickering, Ontario
L1W-3Y8 CANADA

Yorkville Sound Inc.
4625 Witmer Industrial Estate
Niagara Falls, New York
14305 USA



WEB: www.yorkville.com

WORLD HEADQUARTERS

CANADA

Yorkville Sound Limited
550 Granite Court
Pickering, Ontario
L1W 3Y8 CANADA

Voice: 905-837-8481
Fax: 905-839-5776

U.S.A.

Yorkville Sound Inc.
4625 Witmer Industrial Estate
Niagara Falls, New York
14305, USA

Voice: 716-297-2920
Fax: 716-297-3689



Quality and Innovation Since 1963
Printed in Canada